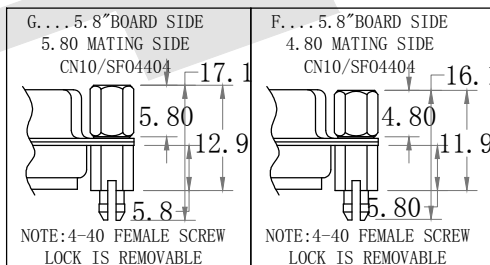
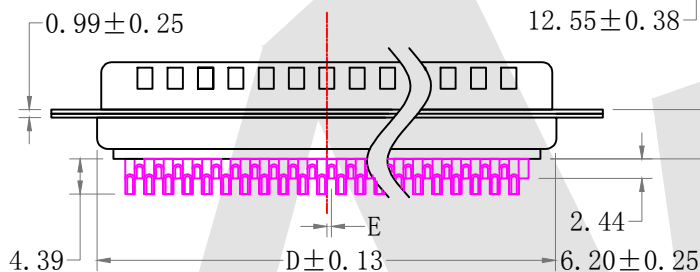
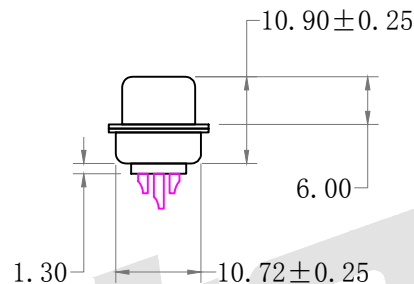
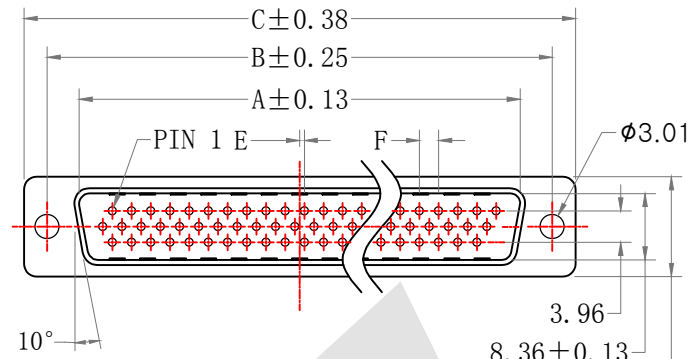
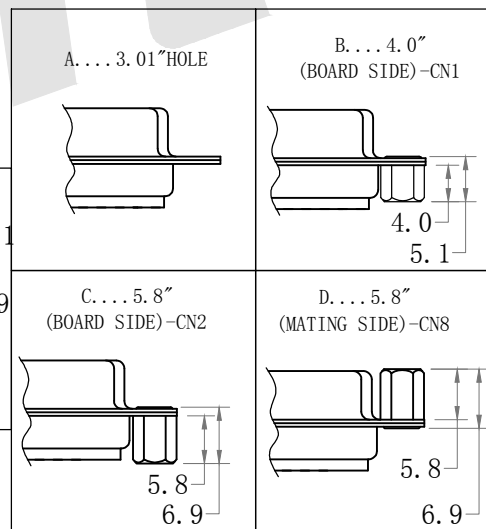


HSF



ALL CLINCH-NUTS ARE 4-40 INTERNAL THREADS



MATERIALS AND FINISH

SHELL: STEEL MATERIAL, FRONT SHELL NICKEL FINISHED

BACK SHELL NICKEL FINISHED

INSULATOR: PBT THERMOPLASTIC, 30% GLASS

FILLED, UL 94V-0 RATED, WHITE COLOR

CONTACT MATERIAL: BRASS

CONTACT FINISH: FULL 2u" GOLD

ELECTRICAL CHARACTERISTICS

CONTACT CURRENT RATING : 5.0 AMPS

CONTACT RESISTANCE : 30 MILLIOHMS MAX.

DIELECTRIC WITHSTANDING VOLTAGE : 1000 V AC MIN

INSULATION RESISTANCE : 5000 MEGAOHMS MIN

TEMPERATURE RATING : -55°C ~ +105°C

Ordering Code:

MHDB01 - M - X - X - X - X

① ② ③ ④ ⑤ ⑥

① MHDB Series

② Contact Type:

M: Male

③ Contact NO.:

15=15Pin 26=26Pin

44=44Pin 62=62Pin

④ Mounting Option:

A: 3.05" HOLE, NO HARDWARE

B: 4.0" 4-40 INSERT, BOARD SIDE

C: 5.8" 4-40 INSERT, BOARD SIDE

D: 5.8" 4-40 INSERT, MATING SIDE

F: 5.8" BOARD LOCK, BOARD SIDE

4.80" SCREW LOCK, MATING SIDE

G: 5.8" BOARD LOCK, BOARD SIDE

5.80" SCREW LOCK, MATING SIDE

⑤ Insulation Color Code:

B: Black G: Grey

W: White L: Blue

⑥ Contact Plating

S: Selective Gold

S1: Selective 3u" Gold

S2: Selective 5u" Gold

S3: Selective 10u" Gold

S4: Selective 15u" Gold

S5: Selective 30u" Gold

G0: Gold flash

G1: 3u" Gold over

G2: 5u" Gold over

G3: 10u" Gold over

G4: 15u" Gold over

G5: 30u" Gold over

DIMENSIONS (mm)

No. OF PINS	A	B	C	D	E	F
15	16.92	24.99	30.81	19.28	0.25	2.29
26	25.25	33.33	39.14	27.51	0.51	2.29
44	38.96	47.04	53.04	41.28	0.51	2.29
62	55.42	63.50	69.32	57.71	0.58	2.39

Unless Otherwise specified tolerance
 X. ±0.35 X.XX: ±0.20
 X.X: ±0.25 X.XXX: ±0.15

SCALE: As Shown UNIT: mm
 DRAW Lv Xun Hua DATE 05/03/2019
 CHECK BobYang DATE 05/03/2019



Antenk ANTENK ELECTRONICS CO., LTD
 Http://www.antenk.com
 E-mail: sales@antenk.com

TITLE: D-SUB MALE High density Solder type Machine Pin

DRAWING NO: MHDB01-MXXXX
 PRODUCT NO: MHDB01-MXXXX

REV	DESCRIPTION	DATE