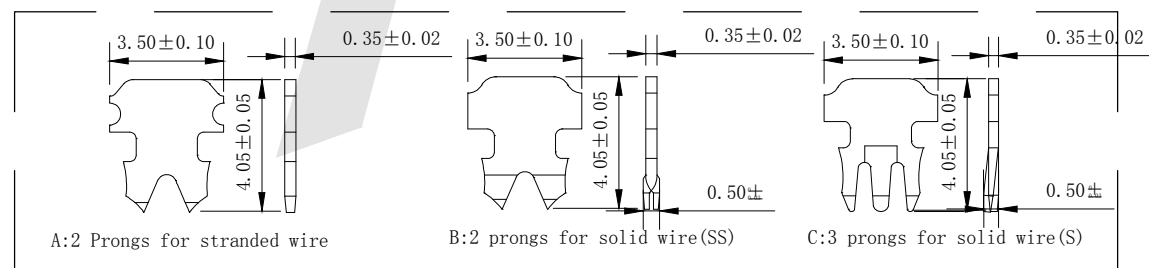
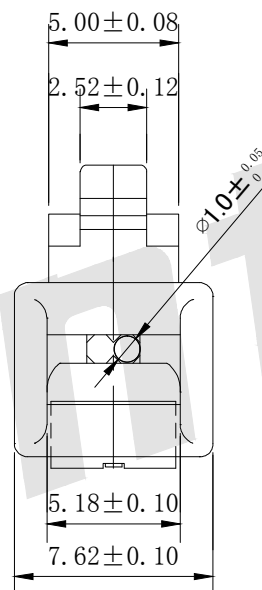
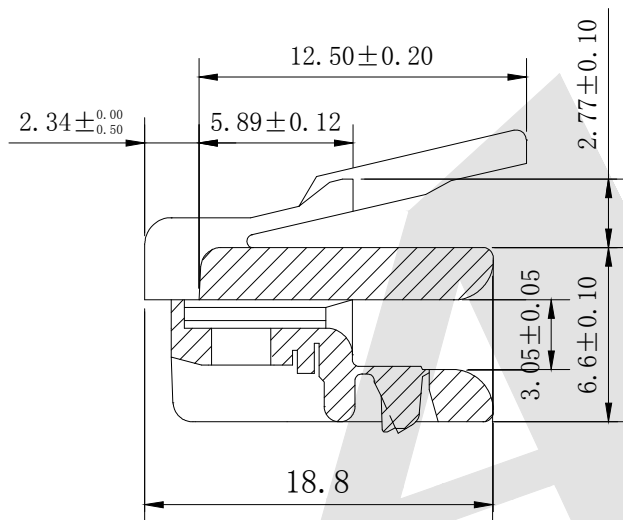
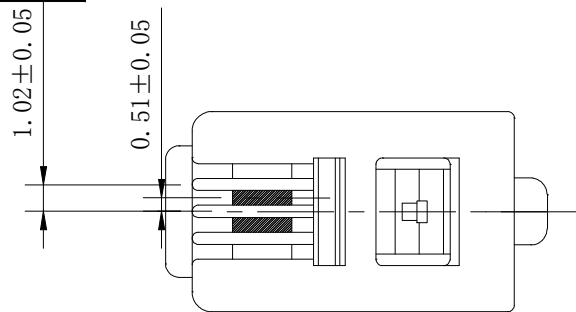


HSF



FEATURES:

1 Electrical Test:

- A.250V AC max at 2 amps.
- B.Dielectric with standing 500volts AC.
- C.Insulation Resistance: 500 megaohms.
- D.Termination Resistance: 35megaohms.

2 Mechanical:

- A.Cable-to-Plug tensile strength-20LBs(89N)min.
- B.Durability:500 mating cycles.

Available for 24 or 26 AWG Wire

Ordering Code:

ATRP4P2C - X - X - X - 001
① ② ③ ④ ⑤

1. Series:

2. Housing Material:

- A:UL 94V-0
- B:UL 94V-2

3. Contact Type:

- A:2 Prongs for stranded wire
- B:2 prongs for solid wire(SS)
- C:3 prongs for solid wire(S)

4. Gold plating :

- A:1u" B:3u"
- C:6u" D:15u"
- E:30u" F:50u"

Unless Otherwise specified tolerance
X. ±0.35 X.XX: ±0.20
X.X: ±0.25 X.XXX: ±0.15

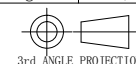
Antenk® ANTENK ELECTRONICS CO.,LTD
Http://www.antenk.com
E-mail:sales@antenk.com

SCALE: As Shown UNIT: mm
DRAW Wu Feng Rong DATE 16/09/2019
CHECK BobYang DATE 16/09/2019

TITLE:
Plug 4P2C Serial unshielded Type

DRAWING NO: ATRP4P2C-XXX-001

PRODUCT NO: ATRP4P2C-XXX-001



REV	DESCRIPTION	DATE
1		
2		
3		
4		
5		