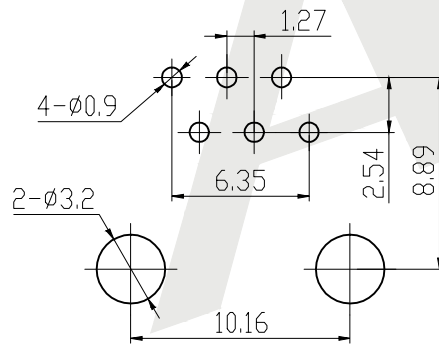
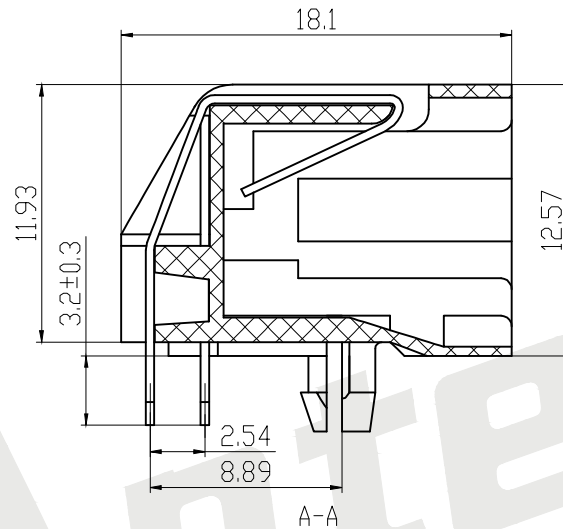
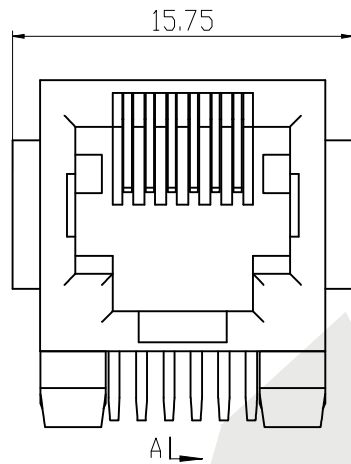
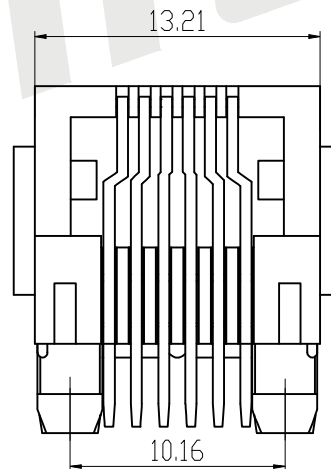


HSF



PC Board Layout



NOTES:

MATERIAL:

1. HOUSING MATERIAL: GLASS FILLED POYESTER UL94V-0.
2. CONTACT MATERIAL: PHOSPHOR BRONZE  $t=0.3\text{mm}$
3. PLATING: SELECTING GOLD PLATING  $1\mu\sim50\mu$  OVER NICKEL IN CONTACT AREA.  $150\mu$  TIN PLATIN. OVER NICKEL IN SOLDER AREA
4. SHIELD: 0.2mm THICKNESS COPPER WITH NICKEL PLATE

ELECTRICAL

1. VOLTAGE RATING: 125VAC RMS
2. CURRENT RATING: 1.5AMP
3. CONTACT RESISTANCE: 30MILLIOHMS MAX
4. INSULATION RESISTANCE 500MEGOHMS MIN @500V DC
5. DIELECTRIC WITHSTANDING RESISTANCE : 1000V AC RMS 50Hz. 1MIN

MECHANICAL

1. DURRABILITY: 750 CYCLES MIN
2. PCB RETENTION PRB-SOLDER: 1 LB MIN

REVIENMENTAL

1. STORAGE:  $-40^{\circ}\text{C}$  TO  $85^{\circ}\text{C}$
2. OPERATION:  $0^{\circ}\text{C}$  TO  $70^{\circ}\text{C}$

Order code:

ATRJ5721 - 6P - 6C - X - A - X - A

①      ②      ③      ④      ⑤      ⑥      ⑦

- |                                    |                     |
|------------------------------------|---------------------|
| ① SERIES NO:                       | ⑤ Shield            |
| ② NUMBER OF POSITIONS (8P, 6P, 4P) | A: W/O Shield       |
| ③ NUMBER OF CONTACTS (8C, 6C, 4C)  | B: Half Shield      |
| ④ Contact Plating                  | C: Shield W/Eml     |
| ⑥ Ports                            | D: Shield W/O Eml   |
| G0: Gold flash                     | ⑦ With Panel or not |
| G1: 3U" Gold                       | A: With panel       |
| G2: 5U" Gold                       | B: Without panel    |
| G3: 10U" Gold                      |                     |
| G4: 15U" Gold                      |                     |
| G5: 30U" Gold                      |                     |
| SN: Tin                            |                     |

Unless Otherwise specified tolerance  
 X. ±0.35    X.XX: ±0.20  
 X.X: ±0.25    X.XXX: ±0.15

SCALE: As Shown	UNIT: mm
DRAW Wu Feng Rong	DATE 22/03/2018
CHECK BobYang	DATE 22/03/2018

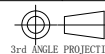


ANTENK ELECTRONICS CO., LTD  
[Http://www.antenk.com](http://www.antenk.com)  
 E-mail: sales@antenk.com

TITLE:  
Modular Jack Side entry 6P6C full  
Plastic with panel, Flat pin

DRAWING NO: ATRJ5721-6P6C-X-A-X-A

PRODUCT NO: ATRJ5721-6P6C-X-A-X-A



REV	DESCRIPTION	DATE
1		
2		
3		
4		
5		