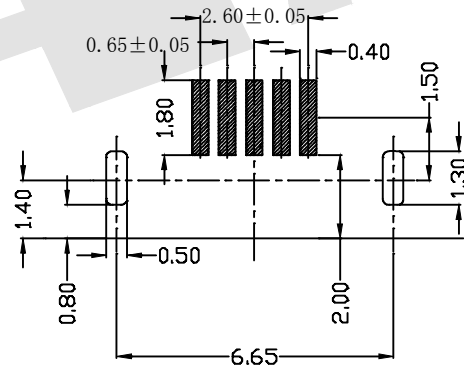
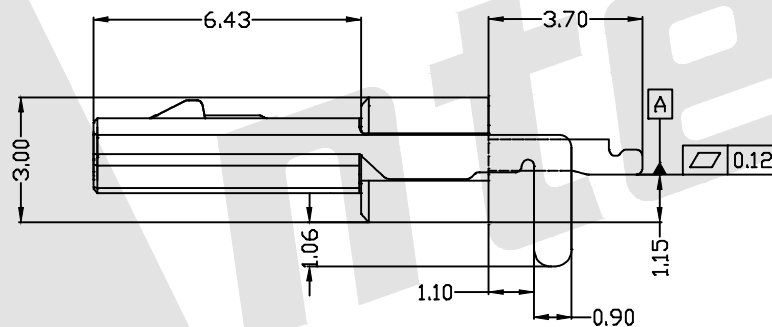
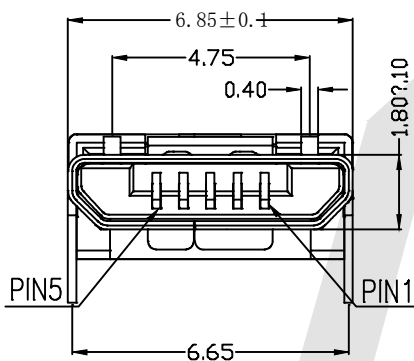
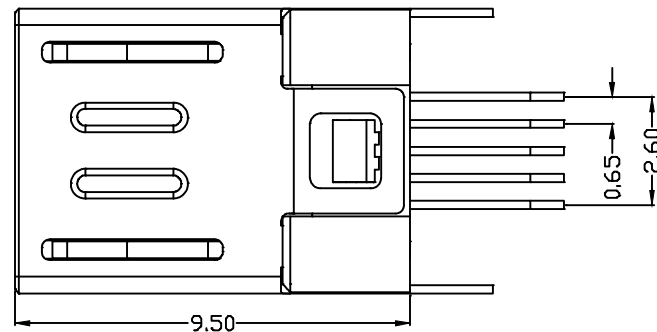


HSF



ROHS



Recommended P.C.B Layout

1. Material:

Shell:SUS 301 R-1/4H
 Insulator:SEE TABLE+30% G.F. UL94V-0
 Hook:SUS 301 R-EH
 Contacts:C5191 R-EH

2. Mechanical:

Mating Force:35 N max
 Withdrawal Force:8N min initial
 Durability :10000 cycles min

3. Electrical:

Current-max(amps) :1.0A
 VOLTAGE-max(volts): 30V
 Withstanding Voltage:100V AC
 Contact Resistance(ohms) :30 milliohms max
 Insulation Resistance(ohms) :100 Megohms min

4. Plating:

Contacts:gold 1u"and tin over Nickel Plated
 Shell:Nickel over all plating

5. Environmental:

Temperature Range:-30°C~ +80°C

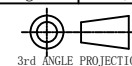
Ordering Code:

MUMS06 - X - X - X - X - X
 ① ② ③ ④ ⑤ ⑥

- ① Series No:
- ② Shell Material:
B:Brass
S:stainless steel
- ③ Insulator Material:
P:PBT+30%GF
L:LCP
- ④ Contact Material:
B:Brass
P:phosphor copper
- ⑤ Contact Plating
G0: Gold flash
G1: 3u" Gold
G2: 5u" Gold
G3: 10u" Gold
G4: 15u" Gold
G5: 30u" Gold
- ⑥ Packing
A:Tray
B:Bag
C:Tube
D:Tape & Reel

Unless Otherwise specified tolerance
 X. ±0.35 X.XX: ±0.20
 X.X: ±0.25 X.XXX: ±0.15

SCALE: As Shown UNIT: mm
 DRAW Lv Xun Hua DATE 10/06/2019
 CHECK BobYang DATE 10/06/2019



Antenk® ANTENK ELECTRONICS CO.,LTD
 Http://www.antenk.com
 E-mail:sales@antenk.com

TITLE:
 MICRO USB 5P MALE SMT SLIM WITH
 STAINLESS SHELL DIP

DRAWING NO: MUMS06-XXXXX

PRODUCT NO: MUMS06-XXXXX

REV	DESCRIPTION	DATE
1		
2		
3		
4		
5		