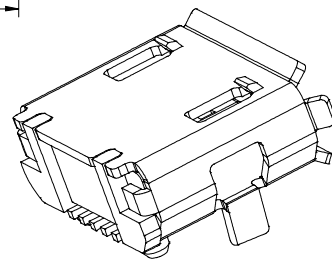
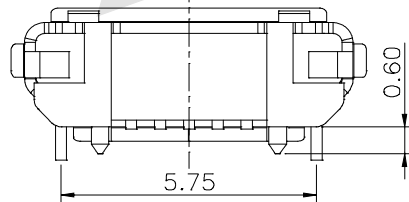
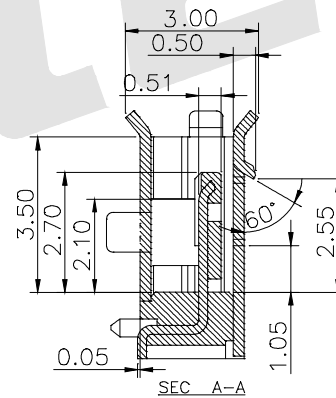
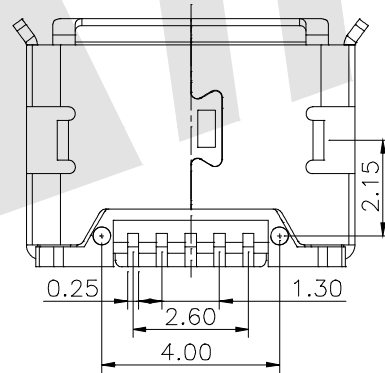
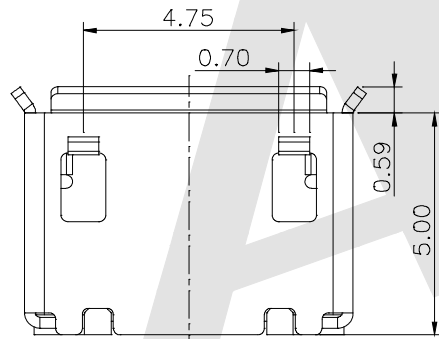
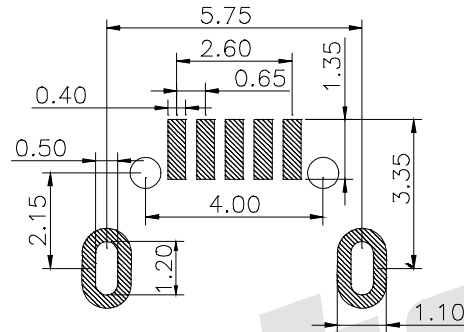
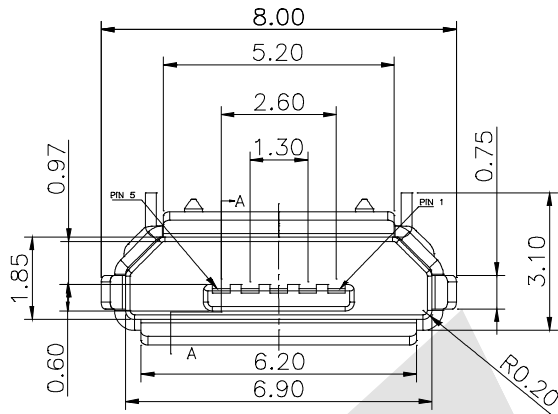


HSF



Notes:

1. Materials

1.1 Housing: High temperature thermoplastic with g. f, UL94v-0

1.2 Contact copper alloy, t=0.15mm

1.3 Shell: copper alloy, t=0.3mm

2. Specifications:

2.1 Current rating: 1A Max

2.2 Dielectric with standing: voltage: 100V(ac) for 1min

2.3 Contact resistance: 50mΩ Max

2.4 Insulation resistance: 100MΩ Min

2.5 Total mating force: 3.57Kgf Max

2.6 Total unmating force: 1.0Kgf Min.

0.81~2.05Kgf Min. after

1000 insertion/extraction cycles

2.7 Temperature range: -30° C ~ +80° C

Order code:

MUFM48 - X - X - X - X - X

① ② ③ ④ ⑤ ⑥

① Series NO:

② Shell Material:

B: Brass I: Iron

S: stainless steel

③ Insulator Material:

P: PBT+30%GF

L: LCP

④ Contact Material:

B: Brass

P: phosphor copper

⑤ Contact Plating

G0: Gold flash

G1: 3U" Gold

G2: 5U" Gold

G3: 10U" Gold

G4: 15U" Gold

G5: 30U" Gold

⑥ Packing

A: Tray

B: Bag

C: Tube

D: Tape & Reel

Unless Otherwise specified tolerance

X. XX: ±0.20

X. X: ±0.25 X. XXX: ±0.15

SCALE: As Shown UNIT: mm

DRAW Lv Xun Hua DATE 30/05/2019

CHECK BobYang DATE 30/05/2019



Antenk® ANTENK ELECTRONICS CO., LTD
[Http://www.antenk.com](http://www.antenk.com)
 E-mail: sales@antenk.com

TITLE: Micro USB 5P B Type, Receptacle
 Angle with 2 legs Dip 5.75mm

DRAWING NO: MUFM48-XXXXX

PRODUCT NO: MUFM48-XXXXX

Change MUFRO3-XXXXX to MUFM48-XXXXX

2019-5-30

REV

DESCRIPTION

DATE

1

2

3

4

5

6

7

8