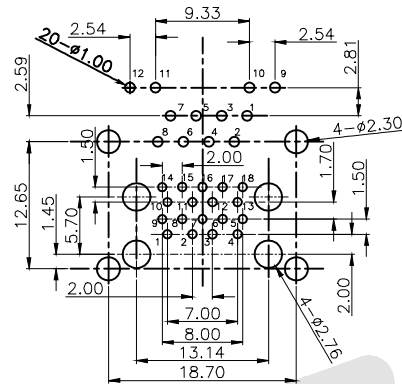
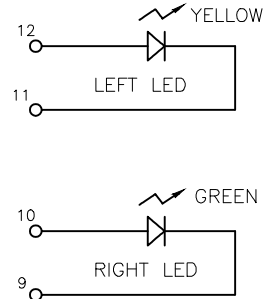
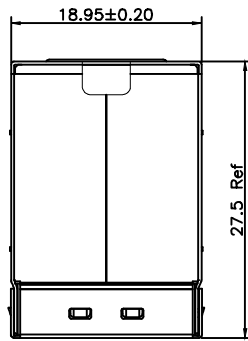
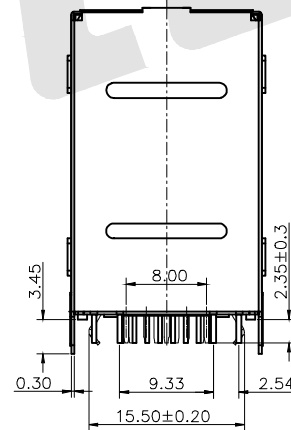
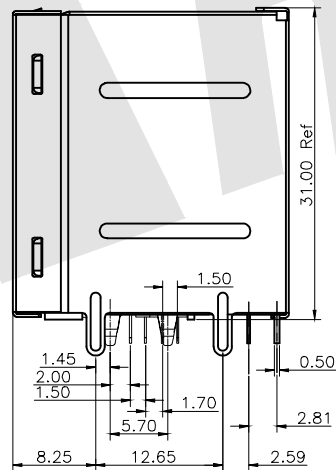
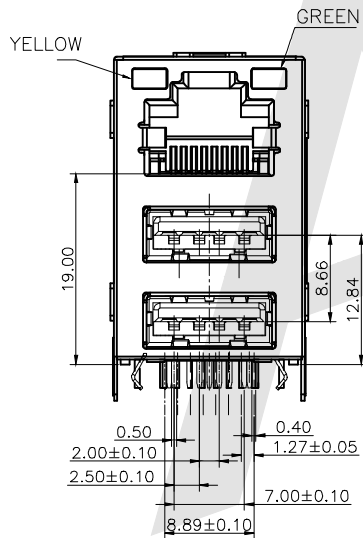


HSF



RECOMMENDED P.C.B. PATTERN LAYOUT
COMPONENT SIDE SHOWN



SPECIFICATIONS:

1. Electronic Characteristics:

- 1.1 Voltage Rating: 1000 VAC 1 Minute
- 1.2 Current Rating: 1.5 AMP. 30V AC
- 1.3 Contact Resistance: 30 Milliohms Maximum
- 1.4 Insulation Resistance: 1000 Megohms Min
- 1.5 Dielectric Withstanding Voltage: 500V AC

2. Mechanical Characteristics:

- 2.1 Operating Life: 750 Cycles Minimum
- 2.2 PCB Retention Pre-solder: 1 LBS Minimum
- 2.3 PCB Retention Post-solder: 10 LBS Minimum

3. Material & Plating

- 3.1 Housing Material: High Temp. Plastic UL94V-0
- 3.2 Contact Material: Copper Alloy
- 3.3 Shell: Steel
- 3.4 Plating: Gold Plating Over Nickel

4. Environmental:

- 4.1 Storage: -55° To +85°
- 4.2 Operation: -55° To +85°
- 4.3 Wave Soldering Temperature: 230° To 250°

Order code:

(3-5 Seconds)

ATRJ6023 - 8P - 8C - X - D - A - B

① ② ③ ④ ⑤ ⑥ ⑦

- ① SERIES NO:
 - ② NUMBER OF POSITIONS (8P, 6P, 4P)
 - ③ NUMBER OF CONTACTS (8C, 6C, 4C)
 - ④ Contact Plating
 - ⑤ Shield
 - ⑥ Ports
 - ⑦ LED STYLE:
- G0: Gold flash
 G1: 3U" Gold
 G2: 5U" Gold
 G3: 10U" Gold
 G4: 15U" Gold
 G5: 30U" Gold
 SN: Tin
- A: W/O Shield
 B: Half Shield
 C: Shield W/Eml
 D: Shield W/O Eml
 A: 1X1P
 B: 1X2P
 C: 1X4P
 D: 1X5P
 E: 1X6P
 F: 1X8P
- A: W/O LED
 B: LEFT YELLOW/RIGHT GREEN
 C: LEFT GREEN/RIGHT YELLOW
 D: LEFT RED/RIGHT GREEN
 E: LEFT GREEN/RIGHT RED
 F: LEFT YELLOW/RIGHT YELLOW
 G: LEFT GREEN/RIGHT GREEN

Unless Otherwise specified tolerance
 X. ±0.35 X.XX: ±0.20
 X.X: ±0.25 X.XXX: ±0.15

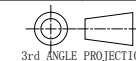
Antenk® ANTENK ELECTRONICS CO., LTD
 Http://www.antenk.com
 E-mail:sales@antenk.com

SCALE: As Shown UNIT: mm
 DRAW Wu Feng Rong DATE 2015/12/8
 CHECK BobYang DATE 2015/12/8

TITLE: Modular Jack+2USB3.0 Shielded
 With LED R/A Through Hole Type

DRAWING NO: ATRJ6023-8P8C-X-D-A-B

PRODUCT NO: ATRJ6023-8P8C-X-D-A-B



REV	DESCRIPTION	DATE
1		
2		
3		
4		
5		