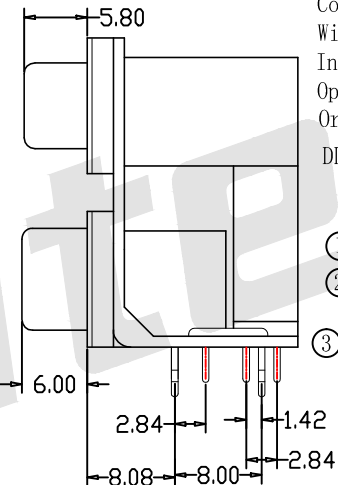
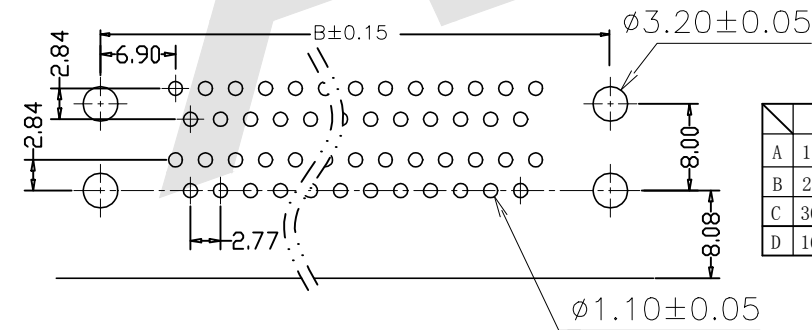
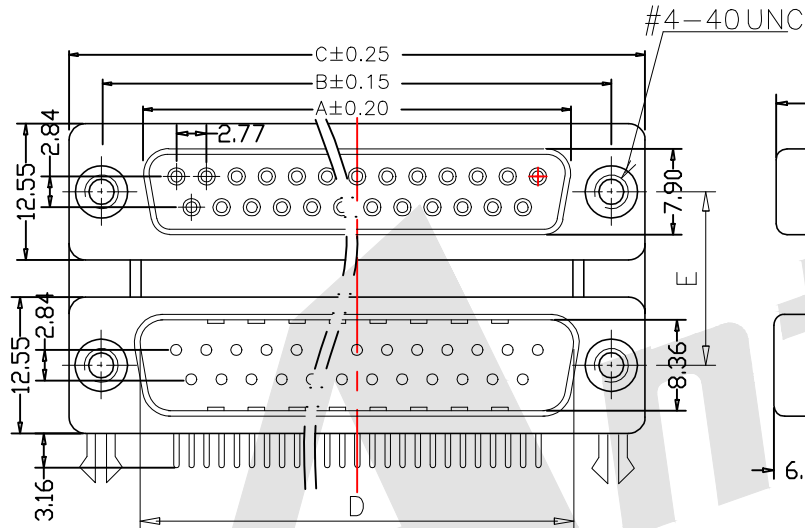


HSF



	P1	P2	P3	P4
A	16.33	24.66	38.38	54.84
B	24.99	33.32	47.04	63.50
C	30.80	39.10	53.00	69.30
D	16.92	25.25	38.96	55.42

**Material:**

Housing: Temperature Thermoplastics, PBT+G. F UL 94V-0

Contact: Brass or Bronze

Shell: Steel Nickel Plating All Area

**Electical Characteristics:**

Current Rating: 5A

Contact Resistance: 30 milliohms Max

Withstanding Voltage: 1000V AC For 1 Minute

Insulation Resistance: 5000 Megohms Min

Operating Temperature: -55° C to +105° C

**Ordering Code:**

DDR01 - FM - X - X - X - B - S  
 ① ② ③ ④ ⑤ ⑥ ⑦

① Dual Port Angle DIP

② Contact Type:  
 FM:Female TO Male

③ Contact NO. :  
 P1=09 TO 09 P2=15 TO 15  
 P3=25 TO 25 P4=37 TO 37

④ Row Spacing:  
 A: Dim.E=15.88mm  
 B: Dim.E=19.05m  
 C: Dim.E=22.86mm

⑤ Other Option:  
 C:Riveted ground hooks  
 with #4-40UNC Open  
 S:Riveted ground hooks  
 Pre-Loaded #4-40UNC Hex screws

⑥ Color Code:  
 B:Black L:Blue  
 W:White G:Grey

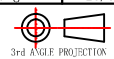
⑦ Contact Plating  
 S: Selective Gold  
 S1:Selective 3u" Gold  
 S2:Selective 5u" Gold  
 S3:Selective 10u" Gold  
 S4:Selective 15u" Gold  
 S5:Selective30u" Gold  
 G0: Gold flash  
 G1: 3u" Gold over  
 G2: 5u" Gold over  
 G3: 10u" Gold over  
 G4: 15u" Gold over  
 G5: 30u" Gold over

Unless Otherwise specified tolerance  
 X. ±0.35 X.XX: ±0.20  
 X.X: ±0.25 X.XXX: ±0.15

SCALE: As Shown UNIT: mm

DRAW: Lv Xun Hua DATE: 20/03/2019

CHECK: BobYang DATE: 20/03/2019



ANTENK ELECTRONICS CO., LTD  
 Http://www.antenk.com  
 E-mail:sales@antenk.com

TITLE:  
 D-SUB P.C.B Dual Port Right Angle  
 Female TO Male(stamped Pin)

DRAWING NO: DDRO1-FMXXXXX

PRODUCT NO: DDRO1-FMXXXXX

REV	DESCRIPTION	DATE