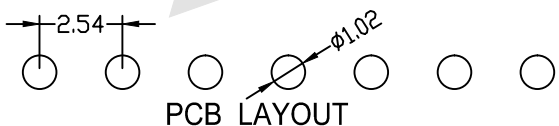
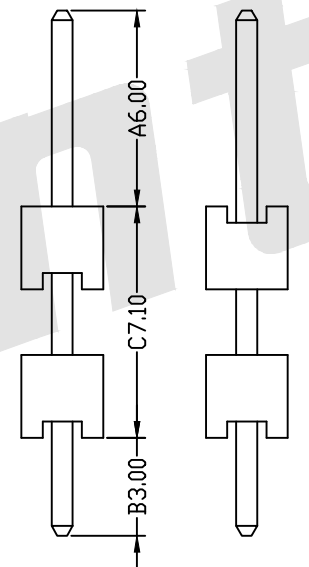
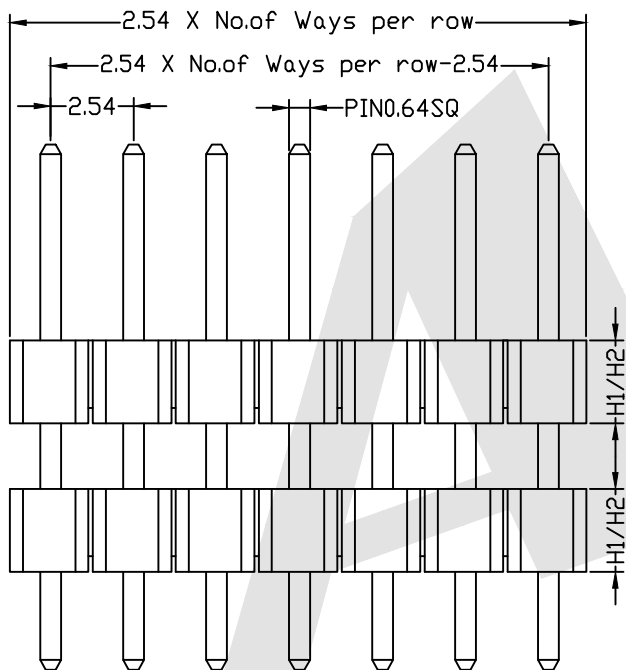
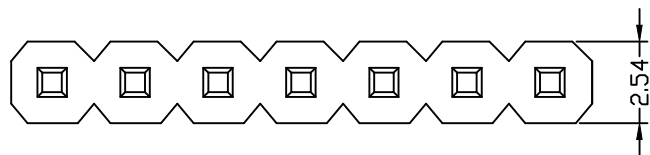


HSF



SPECIFICATION

Current Rating: 3 Amp
 Insulation Resistance: 1000M ohms min
 Contact Resistance: 20M ohms max
 Dielectric Withstanding: AC500V
 Operating Temperature: -65° C to +125° C
 Contact Material: Brass
 Insulator Material: PBT, UL 94V-0 Black

Ordering Code:

PHES02 - X - X - S - A - C - B - X - X - X - X
 ① ② ③ ④ ⑤ ⑥ ⑦ ⑧ ⑨

- ① Series No:
- ② No. of Contacts: 01 To 40
- ③ Contact Plating:
 - G0: Gold flash S0: Selective
 - G1: 3u" Gold S1: Selective 3u"
 - G2: 5u" Gold S2: Selective 5u"
 - G3: 10u" Gold S3: Selective 10u"
 - G4: 15u" Gold S4: Selective 15u"
 - G5: 30u" Gold S5: Selective 30u"
 - SN: Tin
- ④ Connector Type: S: Single
- ⑤ Pin Length:
 - A: 0600=6.00mm
 - C: 0710=7.10mm
 - B: 0300=3.00mm
 Please mark the desired length in the A/C/B
- ⑥ Insulator Material:
 - A: PBT
 - B: PA6T
 - C: LCP
 - D: PA46
 - E: PA9T
- ⑦ Packing:
 - A: Tray
 - B: Bag
 - T: Tube
 - U: Tube+CAP
 - R: Tape&Reel
 - W: Tape&Reel+CAP
- ⑧ Shape option:
 - A: Type 1
 - B: Type 2
- ⑨ Plastic High:
 - H1: 1.7mm
 - H2: 2.54mm
 - H3: 2.00mm
 - H4: 1.50mm

Standard IE P/N :

PHES02-10-G0-S-0600-0710-0300-A-B-H1

A	C	B
6.00	7.10	3.00

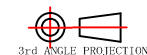
Unless Otherwise specified tolerance
 X.XX: ±0.20
 X.X: ±0.25 X.XXX: ±0.15

Antenk ANTENK ELECTRONICS CO., LTD
 Http://www.antenk.com
 E-mail:sales@antenk.com

Optional		SCALE: As Shown	UNIT: mm
DRAW	YG ZHONG	DATE	01/05/2016
CHECK	BobYang	DATE	01/05/2016

TITLE:
2.54mm Pin Header Single Row Double Plastic Straight Type

REV	1	ADD H4=1.5MM	2017/04/14
	2	Increase packing method, reverse selection, material selection	2016/10/25
		DESCRIPTION	DATE



DRAWING NO: PHES02-XXS-0600-0710-0300-XXX
 PRODUCT NO: PHES02-XXS-0600-0710-0300-XXX