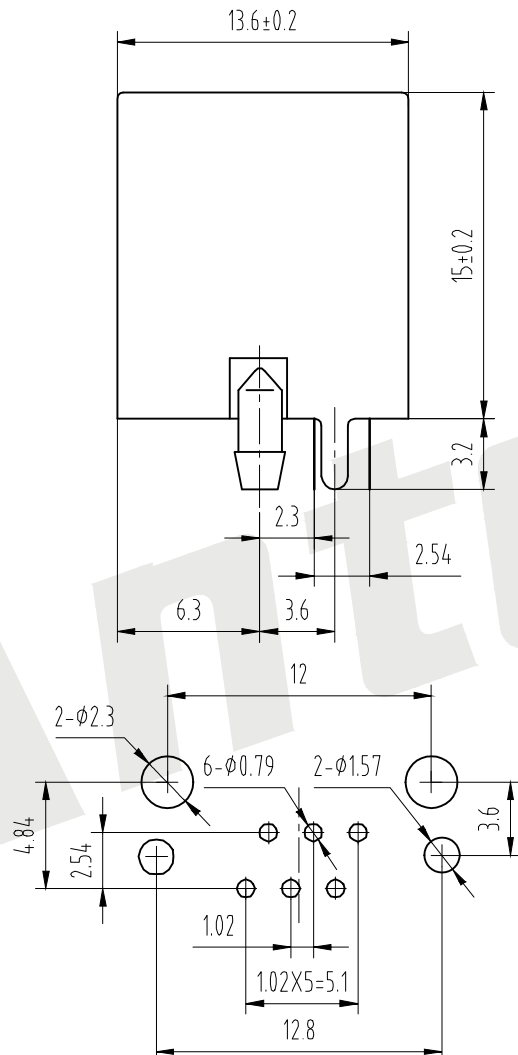
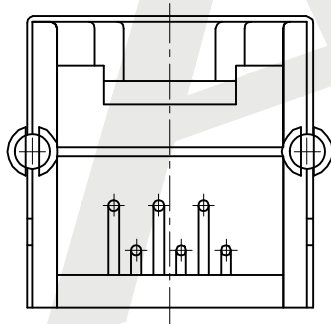
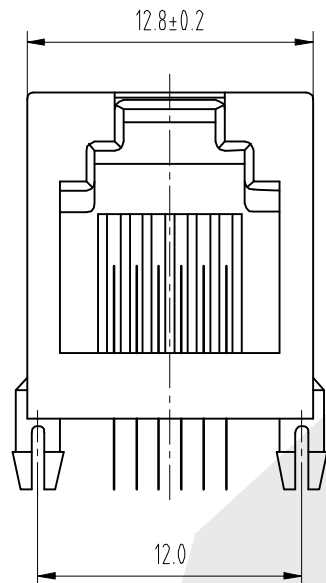


HSF



PC Board Layout

Component Side Shown

NOTES:

MATERIAL:

1. HOUSING MATERIAL: GLASS FILLED POYESTER UL94V-0.
2. CONTACT MATERIAL: PHOSPHOR BRONZE $t=0.3\text{mm}$
3. PLATING: SELECTING GOLD PLATING $1\mu\sim 50\mu$ OVER NICKEL IN CONTACT AREA. 150μ TIN PLATIN. OVER NICKEL IN SOLDER AREA

ELECTRICAL

1. VOLTAGE RATING: 125VAC RMS
2. CURRENT RATING: 1.5AMP
3. CONTACT RESISTANCE: 30MILLIOHMS MAX
4. INSULATION RESISTANCE 500MEGOHMS MIN @500V DC
5. DIELECTRIC WITHSTANDING RESISTANCE : 1000V AC RMS 50Hz. 1MIN

MECHANICAL

1. DURRABILITY: 750 CYCLES MIN
2. PCB RETENTTON PRB-SOLDER : 1 LB MIN

ENVIRONMENTAL

1. STORAGE: -40°C TO 85°C
2. OPERATION: 0°C TO 70°C

Order code:

ATRJ5521 - 6P - 6C - X - D - A
 ① ② ③ ④ ⑤ ⑥

- ① SERIES NO:
- ② NUMBER OF POSITIONS (8P, 6P, 4P)
- ③ NUMBER OF CONTACTS (8C, 6C, 4C)
- ④ Contact Plating
 G0: Gold flash
 G1: 3U" Gold
 G2: 5U" Gold
 G3: 10U" Gold
 G4: 15U" Gold
 G5: 30U" Gold
 SN: Tin
- ⑤ Shield
 A: W/O Shield
 B: Half Shield
 C: Shield W/Eml
 D: Shield W/O Eml
- ⑥ Ports
 A: 1X1P
 B: 1X2P
 C: 1X4P
 D: 1X5P
 E: 1X6P
 F: 1X8P

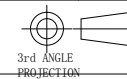
Unless Otherwise specified tolerance
 X. ±0.35 X.XX: ±0.20
 X.X: ±0.25 X.XXX: ±0.15

Antenk® ANTENK ELECTRONICS CO., LTD
 Http://www.antenk.com
 E-mail:sales@antenk.com

SCALE: As Shown UNIT: mm
 DRAW Wu Sai DATE 22/03/2018
 CHECK BobYang DATE 22/03/2018

TITLE: RJ45 Jack Side entry, 1X1P, Full Plastic

DRAWING NO: ATRJ5521-6P6C-X-D-A
 PRODUCT NO: ATRJ5521-6P6C-X-D-A



REV	DESCRIPTION	DATE
1		
2		
3		
4		
5		