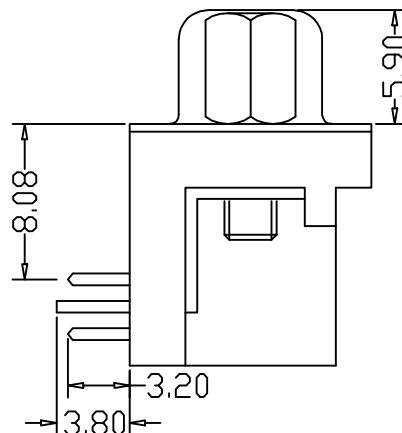
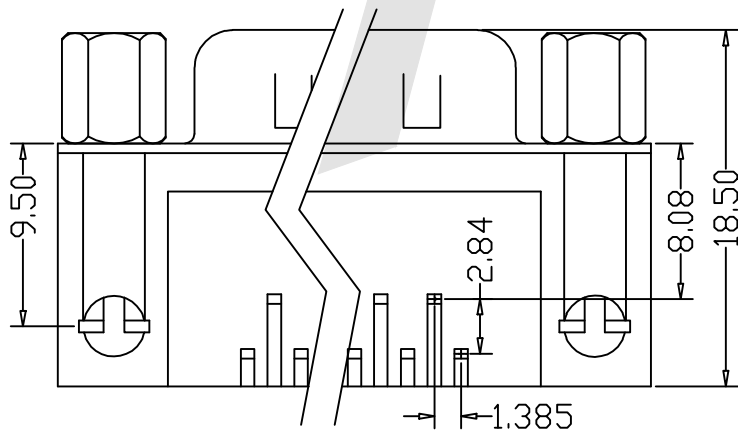
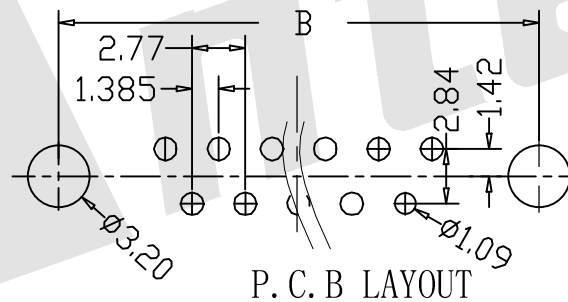
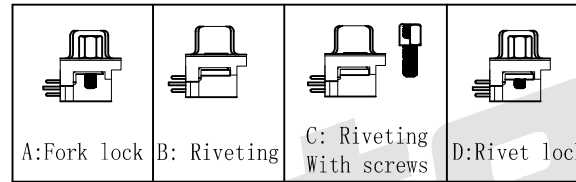
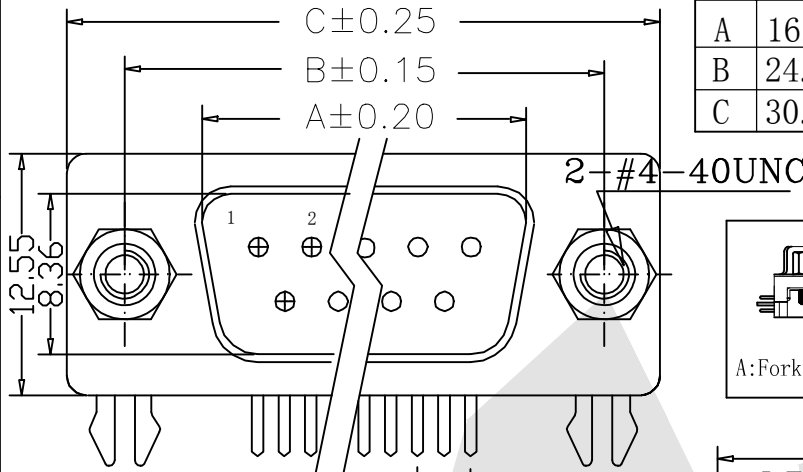


HSF



	09pin	15pin	25pin	37pin
A	16.92	25.25	38.96	55.42
B	24.99	33.32	47.04	63.50
C	30.80	39.10	53.00	69.30



Material:
 Housing: Temperature Thermoplastics, PBT+G.F UL 94V-0
 Contact: Brass or Bronze
 Shell) : 0.35T Steel Nickel Plating All Area
 Electrical Characteristics:
 Current Rating: 5A
 Contact Resistance: 30 milliohms Max
 Withstanding Voltage: 1000V AC For 1 Minute
 Insulation Resistance: 5000 Megohms Min
 Operating Temperature: -55° C to +105° C

Ordering Code:
 DR01- M - X - A - A - B - S
 ① ② ③ ④ ⑤ ⑥ ⑦

① Dual Row Angle DIP 8.08 Footprint

② Contact Type:

M: Male

③ Contact NO.:

09=09pin 15=15pin

25=25pin 37=37pin

④ Mounting Option:

A: Fork lock

B: Riveting

C: Riveting With screws

D: Rivet lock

⑤ Accessories:

0: Non Accessories

A: Zinc alloy 4.8mm Nickel

A1: Zinc alloy 5.8mm Nickel

B: Iron 4.8mm Nickel

B1: Iron 5.8mm Nickel

C: Copper alloy 4.8mm Nickel

C1: Copper alloy 5.8mm Nickel

D: Copper screw 4.8mm Nickel

D1: Copper screw 5.8mm Nickel

⑥ Color Code:

W: White L: Blue

B: Black G: Grey

⑦ Contact Plating

S: Selective Gold

S1: Selective 3u" Gold

S2: Selective 5u" Gold

S3: Selective 10u" Gold

S4: Selective 15u" Gold

S5: Selective 30u" Gold

G0: Gold flash

G1: 3u" Gold over

G2: 5u" Gold over

G3: 10u" Gold over

G4: 15u" Gold over

G5: 30u" Gold over

Unless Otherwise specified tolerance	
X. ±0.35	X.XX: ±0.20
X.X: ±0.25	X.XXX: ±0.15

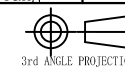
Antenk ANTENK ELECTRONICS CO.,LTD
 Http://www.antenk.com
 E-mail:sales@antenk.com

SCALE: As Shown	UNIT: mm
DRAW Lv Yun Hua	DATE 09/03/2019
CHECK BobYang	DATE 09/03/2019

TITLE: D-SUB PCB Male Dual Row Right Angle HIGH

DRAWING NO: DR01-MXAABS

PRODUCT NO: DR01-MXAABS



REV	DESCRIPTION	DATE