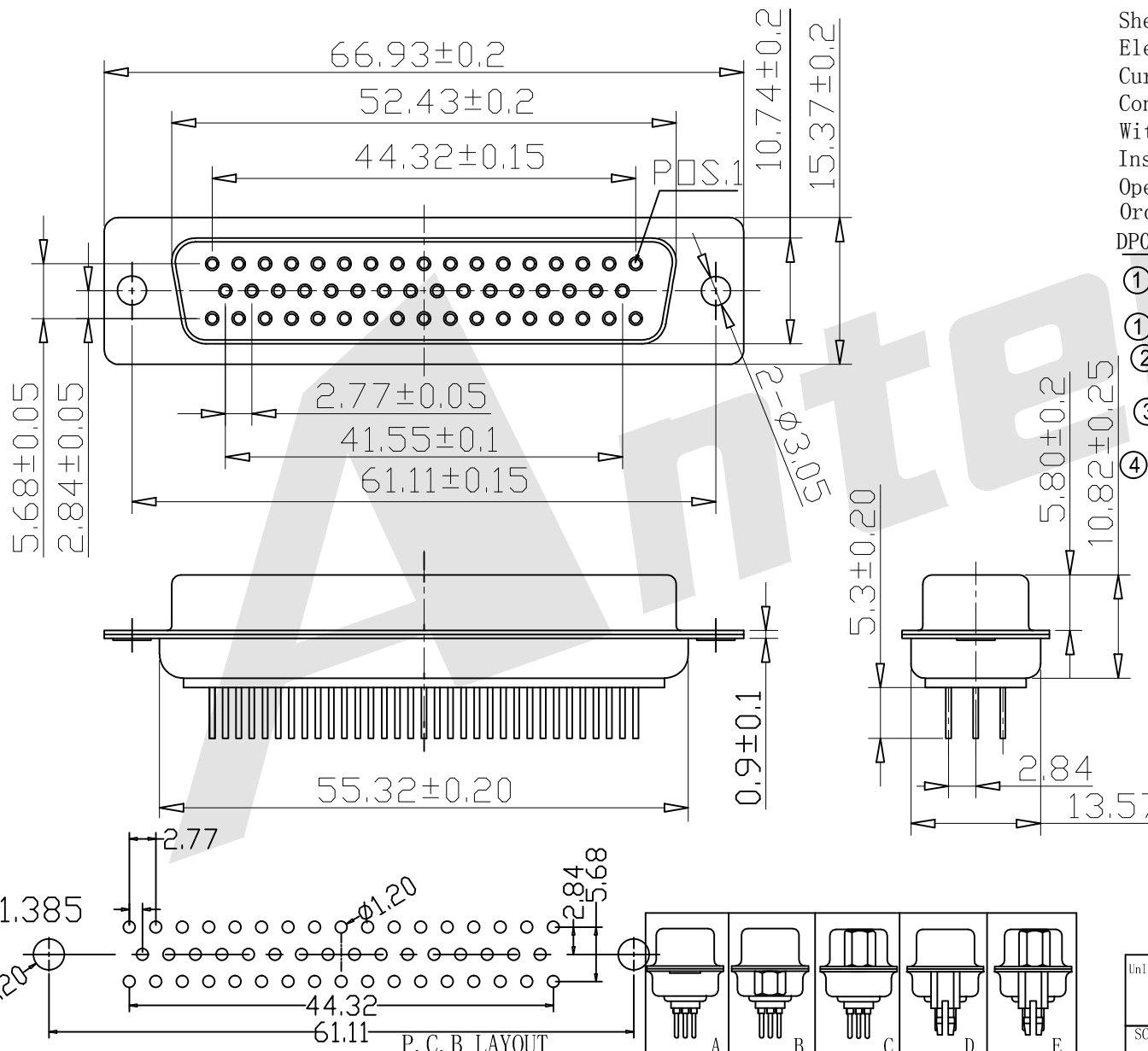


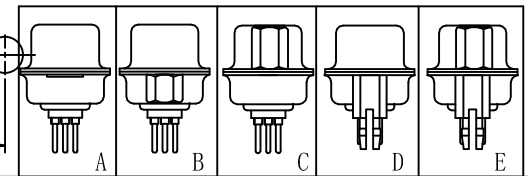
HSF



Material:
Housing: Temperature Thermoplastics, PBT+G. F UL 94V-0
Contact: Brass or Bronze
Shell: 0.35T Steel Nickel Plating All Area
Electical Characteristics:
Current Rating: 5A
Contact Resistance: 20 milliohms Max
Withstanding Voltage: 500V AC For 1 Minute
Insulation Resistance: 1000 Megohms Min
Operating Temperature: -55° C to +105° C
Ordering Code:

DPO2 - F - 50 - A - 0 - B - S
① ② ③ ④ ⑤ ⑥ ⑦

- ① Three Row Straight DIP (Pitch:2.77mm)
- ② Contact Type:
F:Female
- ③ Contact NO.:
50=50pin
- ④ Mounting Option:
A: No accessories
B: Rear Rivet
C: Front Rivet
D: Groudstand-off on real shell
E: Front rivet+Groundstand-off on real shell
- ⑤ Accessories:
O: Non Accessories
A: Zinc alloy 4.8mm Nickel
A1:Zinc alloy 5.8mm Nickel
B: Iron 4.8mm Nickel
B1:Iron 5.8mm Nickel
C: Copper alloy 4.8mm Nickel
C1:Copper alloy 5.8mm Nickel
D: Copper screw 4.8mm Nickel
D1:Copper screw 5.8mm Nickel
- ⑥ Color Code:
W:White L:Blue
B:Black G:Grey
- ⑦ Contact Plating
S: Selective Gold
S1:Selective 3u" Gold
S2:Selective 5u" Gold
S3:Selective 10u" Gold
S4:Selective 15u" Gold
S5:Selective30u" Gold
G0: Gold flash
G1: 3u" Gold over
G2: 5u" Gold over
G3: 10u" Gold over
G4: 15u" Gold over
G5: 30u" Gold over

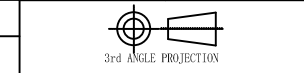


Unless Otherwise specified tolerance
X. ± 0.35 X.XX: ± 0.20
X.X: ± 0.25 X.XXX: ± 0.15

Antenk ANTENK ELECTRONICS CO., LTD
[Http://www.antenk.com](http://www.antenk.com)
E-mail:sales@antenk.com

SCALE: As Shown UNIT: mm
DRAW Wu Sai DATE 22/03/2018
CHECK BobYang DATE 22/03/2018

TITLE: D-SUB PCB Female Three Row 50 Pin (Pitch:2.77mm) Straight (stamped Pin)



DRAWING NO: DPO2-F50AOBS
PRODUCT NO: DPO2-F50AOBS

REV	DESCRIPTION	DATE
1		
2		
3		
4		
5		