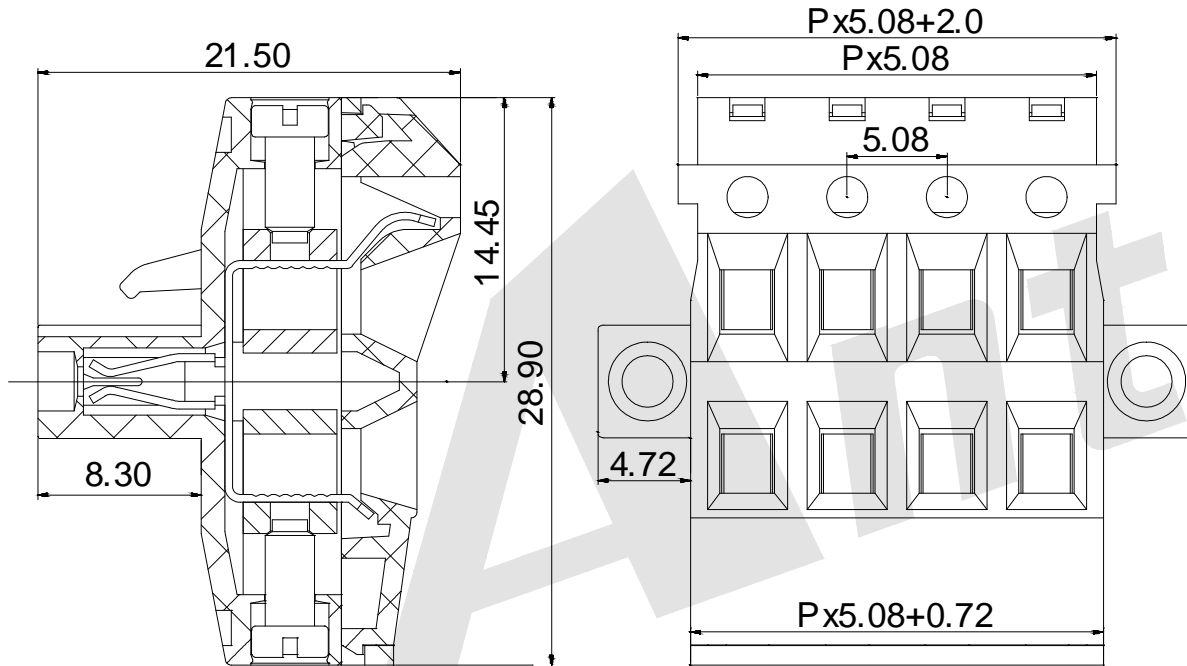


HSF



**SPECIFICATION:**

Voltage Rating:300V  
 Current Rating:10A  
 Wire range:28-12AWG 2.5mm<sup>2</sup>  
 Dielectric Withstanding Voltage:AC2500V/1Min  
 Housing:PA66+23%GF, UL94V-0  
 Terminal:Brass, Nickel Plated Or Steel, Zn-Plated  
 Wire Cage:Phosphor Copper, Nickel Plated  
 Screw:Steel, M2.5 Zn-Plated  
 Torque:0.4N.m  
 Operating Temperature Range:-40° C To +105° C



AT2500F - 5.08 - XX - X -KHS

KHM:Series number

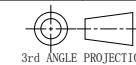
Pitch: 5.08:5.08mm  
 Poles: 02: 2 Contacts  
 03: 3 Contacts  
 ... ..  
 24: 24 Contacts  
 Insulator color: A:Green  
 B:Blue  
 C:Black  
 G:Gray  
 O:Orange

Unless Otherwise specified tolerance  
 X. ±0.35 X.XX: ±0.20  
 X.X: ±0.25 X.XXX: ±0.15

**Antenk**® ANTENK ELECTRONICS CO.,LTD  
 Http://www.antenk.com  
 E-mail:sales@antenk.com

SCALE: As Shown UNIT: mm  
 DRAW Wu Feng Rong DATE 05/18/2015  
 CHECK BobYang DATE 05/18/2015

TITLE: Plug-in Terminal Block Pitch:5.08



DRAWING NO: A2500F-5.08-XXX-KHS  
 PRODUCT NO: A2500F-5.08-XXX-KHS

REV	DESCRIPTION	DATE
1		
2		
3		
4		
5		