

HSF

RoHS

NOTE:

Type:Surface Mounted Device  
 Base Material:Nylon Resin,Black Color  
 Contacts:0.30 THK Stainless Steel  
 Flammability Rating:UL 94 V-0  
 Dielectric Strength: 560 Voits/M11, at  
 25°C For 5 Sec

Ordering Code:

BT - M - G0 - R - 18650-1  
 ① ② ③ ④ ⑤

① BT: Coin Cell Holders

② Apperance for the product

M:SMT TYPE S:180 TYPE R:90 TYPE

③ Contact Plating

SI: NICKEL Plated G2: 5U" Gold

SN: Tin G3: 10U" Gold

G0: Gold flash G4: 15U" Gold

G1: 3U" Gold G5: 30U" Gold

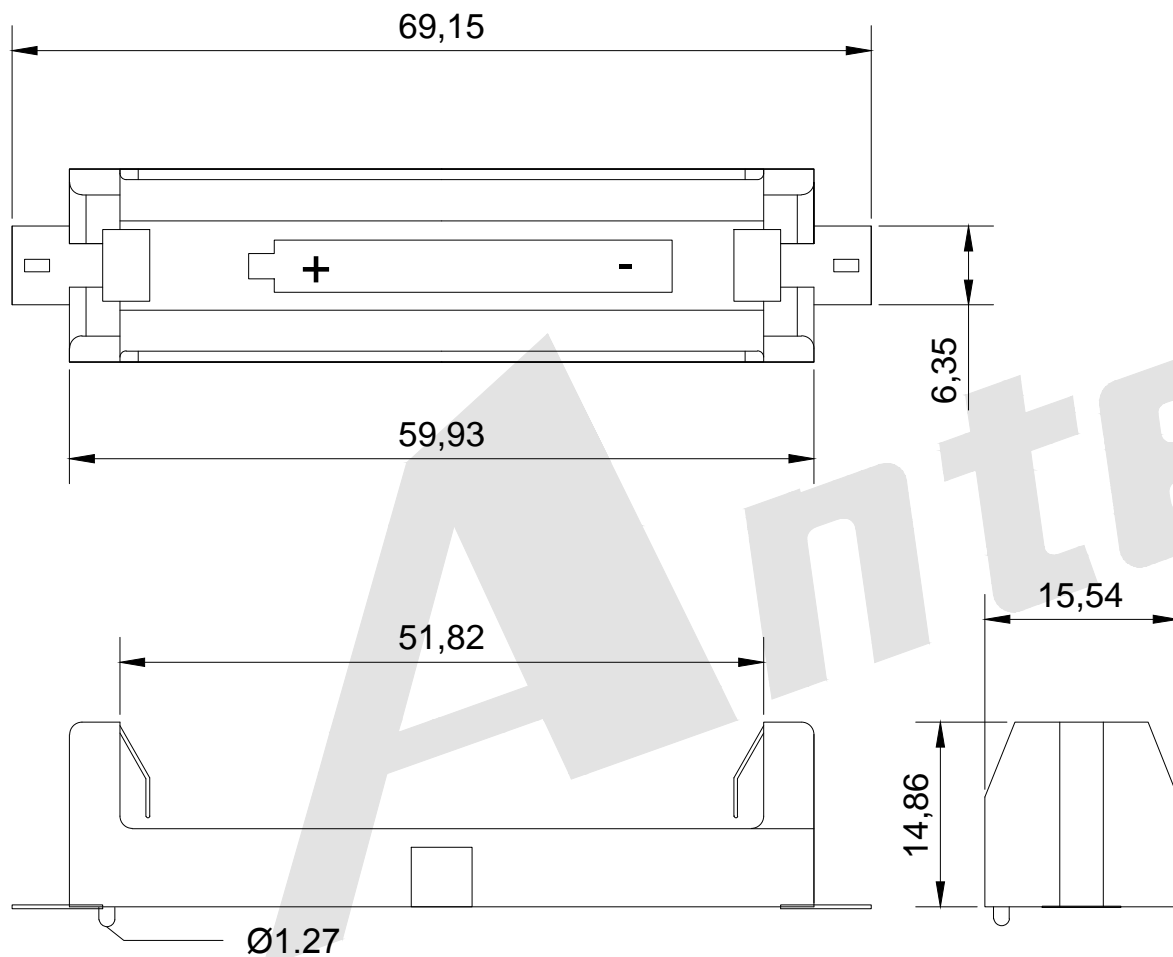
④ Packing method

A: Tray packing

R: Tape & reel packing

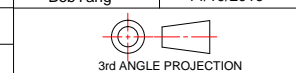
⑤ Product number

18650-1



Unless Otherwise specified tolerance	
X.±0.35	X.XX:±0.20
X.X:±0.25	X.XXX:±0.15

SCALE: As Shown	UNIT: mm
DRAW Wu Feng Rong	DATE 14/10/2019
CHECK BobYang	DATE 14/10/2019



**Antenk**® ANTENK ELECTRONICS CO.,LTD  
[Http://www.antenk.com](http://www.antenk.com)  
 E-mail:sales@antenk.com

TITLE: Coin Cell Holders For One Li-ion  
 18650 SMT With Post

DRAWING NO: BT-M-G0-R-18650-1

PRODUCT NO: BT-M-G0-R-18650-1

REV	DESCRIPTION	DATE
1		
2		
3		
4		
5		