

HSF



	09pin	15pin	25pin	37pin
A	16.92	25.25	38.96	55.42
B	24.99	33.32	47.04	63.50
C	30.80	39.10	53.00	69.30

Material:

Housing: Temperature Thermoplastics, PBT+G. F UL 94V-0

Contact: Brass or Bronze

Shell: 0.35T Steel Nickel Plating All Area

Electical Characteristics:

Current Rating: 5A

Contact Resistance: 20 milliohms Max

Withstanding Voltage: 500V AC For 1 Minute

Insulation Resistance: 1000 Megohms Min

Operating Temperature: -55° C to +105° C

Ordering Code:

DP03 - M - X - A - A - B - S
 ① ② ③ ④ ⑤ ⑥ ⑦

① Dual Row Straddle Type

② Contact Type:
M: Male

③ Contact NO. :
09=09pin 15=15pin
25=25pin 37=37pin

④ Mounting Option:
A: No accessories
B: Rear Rivet
C: Front Rivet

⑤ Accessories:

0: Non Accessories

A: Zinc alloy 4.8mm Nickel

A1: Zinc alloy 5.8mm Nickel

B: Iron 4.8mm Nickel

B1: Iron 5.8mm Nickel

C: Copper alloy 4.8mm Nickel

C1: Copper alloy 5.8mm Nickel

D: Copper screw 4.8mm Nickel

D1: Copper screw 5.8mm Nickel

⑥ Color Code:

W: White L: Blue

B: Black G: Grey

⑦ Contact Plating

S: Selective Gold

S1: Selective 3u" Gold

S2: Selective 5u" Gold

S3: Selective 10u" Gold

S4: Selective 15u" Gold

S5: Selective 30u" Gold

G0: Gold flash

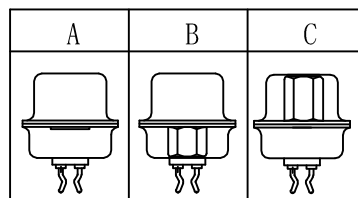
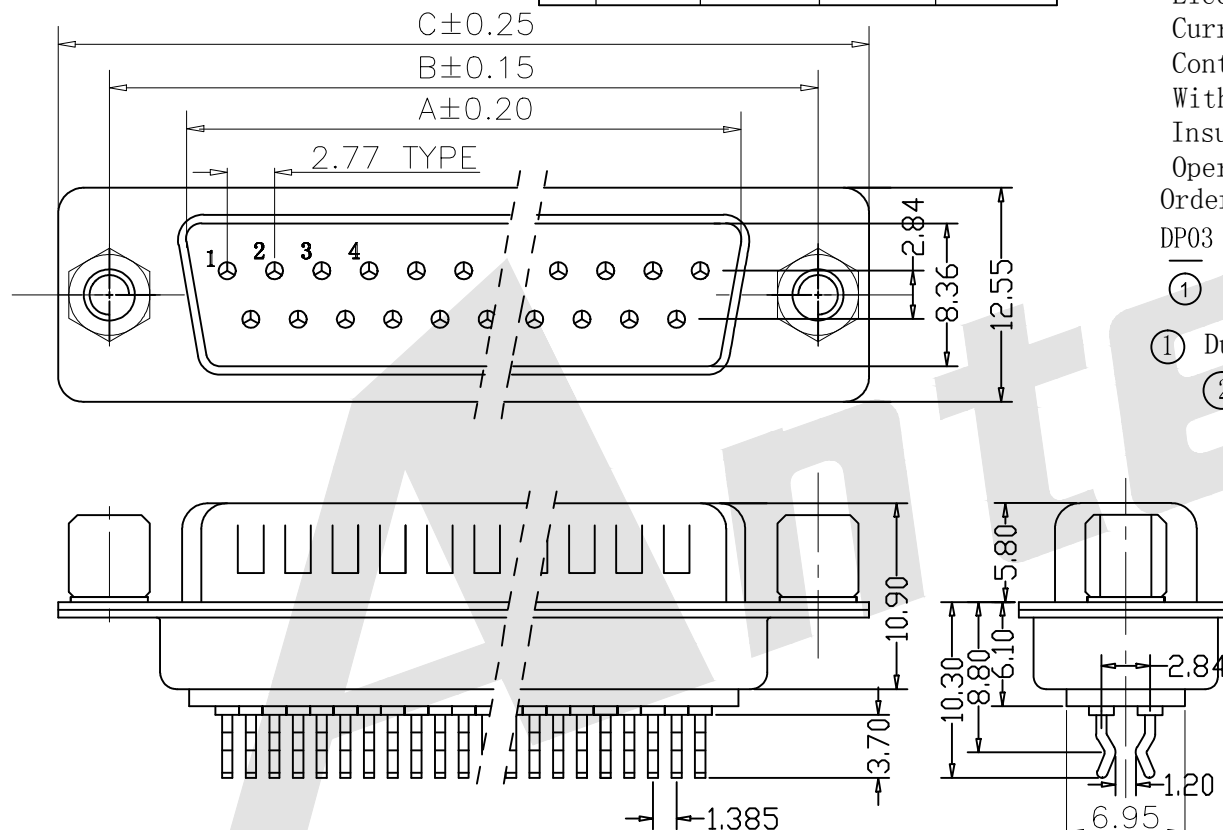
G1: 3u" Gold over

G2: 5u" Gold over

G3: 10u" Gold over

G4: 15u" Gold over

G5: 30u" Gold over



Unless Otherwise specified tolerance

X. ±0.35 X.XX: ±0.20
X.X: ±0.25 X.XXX: ±0.15



ANTENK ELECTRONICS CO., LTD
[Http://www.antenk.com](http://www.antenk.com)
 E-mail: sales@antenk.com

SCALE: As Shown UNIT: mm

DRAW Lv Xun Hua DATE 19/03/2019

CHECK BobYang DATE 19/03/2019



TITLE: D-SUB PCB Male Dual Row Straddle Type (stamped Pin)

DRAWING NO: DP03-MXXXXX

PRODUCT NO: DP03-MXXXXX

REV	DESCRIPTION	DATE