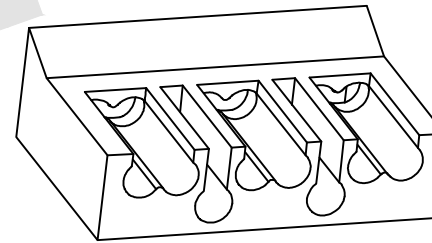
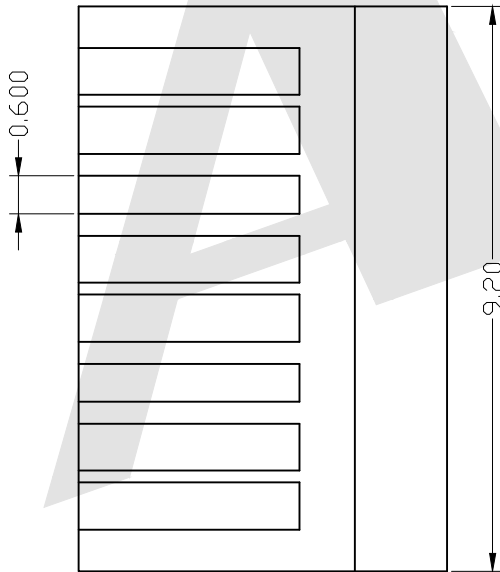
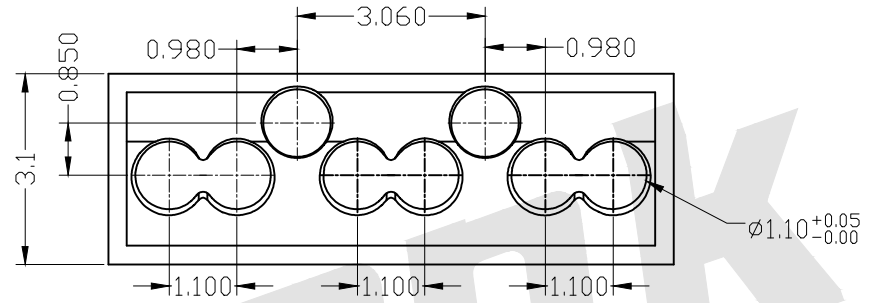
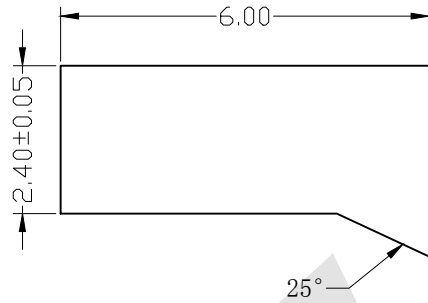


HSF



ROHS



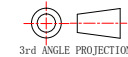
SPECIFICATION:
1. Material:PC

Unless Otherwise specified tolerance	
X. ±0.35	X. XX: ±0.20
X. X: ±0.25	X. XXX: ±0.15
SCALE: As Shown	UNIT: mm
DRAW Robin	DATE 04/06/2015
CHECK BobYang	DATE 04/06/2015

Antenk® ANTENK ELECTRONICS CO.,LTD
[Http://www.antenk.com](http://www.antenk.com)
 E-mail:sales@antenk.com

TITLE:
Boot 6UP 2DOWN For Cat6

DRAWING NO: ATRP8P8C6TSR-002
 PRODUCT NO: ATRP8P8C6TSR-002



REV	DESCRIPTION	DATE
1		
2		
3		
4		
5		