

HSF



No. of Positions	PART NO	A	B
6	MPHES-06XXXX04	7.62	5.08
8	MPHES-08XXXX04	10.16	7.62
10	MPHES-10XXXX04	12.7	10.16
12	MPHES-12XXXX04	15.24	12.7
14	MPHES-14XXXX04	17.78	15.24
16	MPHES-16XXXX04	20.32	17.78
18	MPHES-18XXXX04	22.86	20.32
20	MPHES-20XXXX04	25.4	22.86
22	MPHES-22XXXX04	27.94	25.4
24	MPHES-24XXXX04	30.48	27.94
28	MPHES-28XXXX04	35.56	33.02

Technical Date

Material:

Pin(outer sleeve)Brass,machined CuZn38Pb2

Plating(outer sleeve)

Tin Plated:2m/80 μ " N, 5 μ m/200 μ " Sn

Gold Pated: 2 μ m/80 μ " N, 0.8 μ " gold

Insuiator: PPS UL94V-0

Electrical:

Current rating: 3Amps/contact max.

Current resistance: ≤4mΩ/contact

I nsuiation resistance: ≥1000MΩ at V=100V

OPerating vciage: 60VAC/DC

Mechanical:

OPerating TemPerature: -40° C to+105°

Soldering TemPerature: +255°

Ordering Code:

MPHES - X - X - X - 04
 ① ② ③ ④ ⑤

① MPHES series

④ Packing

A:Tray B:Bag

② Contact NO:

C:Tube D:Tape Reel

XX=XXpin

For example:

06=06pin

⑤ Series number

04

③ Pin Plated

0: No

1: Tin 150 μ "

2: Tin 200 μ "

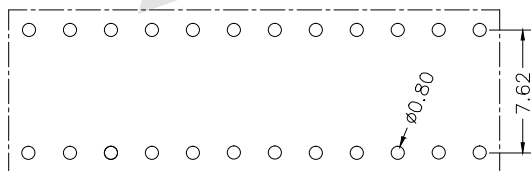
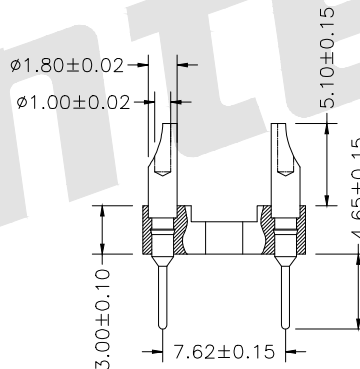
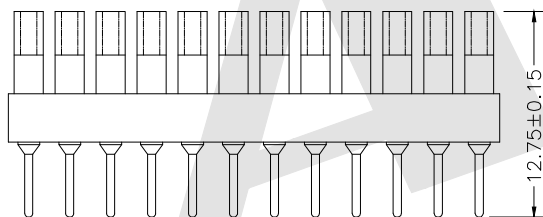
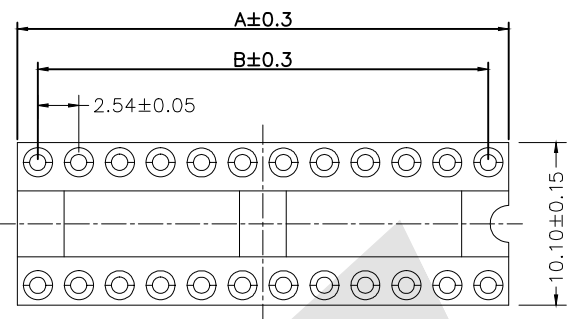
3: G/F

4: Gold 3 μ "

5: Gold 10 μ "

6: Gold 15 μ "

S: Special



PCB LAYOUT

Unless Otherwise specified tolerance
 X. ±0.35 X.XX: ±0.20
 X.X: ±0.25 X.XXX: ±0.15

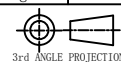
SCALE: As Shown UNIT: mm
 DRAW Gong Feng DATE 2018.10.05
 CHECK BobYang DATE 2018.10.05

Antenk ANTENK ELECTRONICS CO.,LTD
 Http://www.antenk.com
 E-mail:sales@antenk.com

TITLE: Machined Pin connectors 2.54 mm:
 MPHES series

DRAWING NO: MPHES-XXX04

PRODUCT NO: MPHES-XXX04



REV	DESCRIPTION	DATE