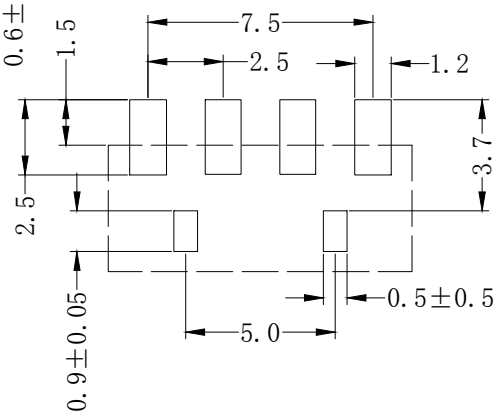
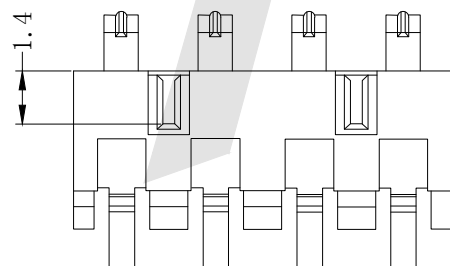
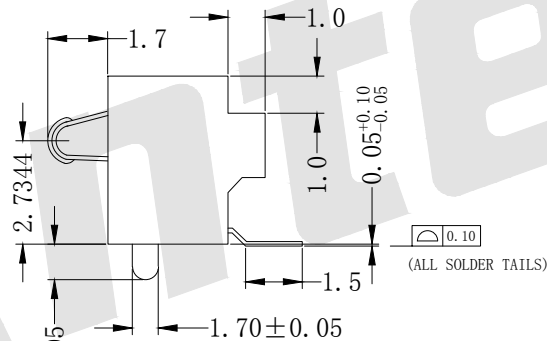
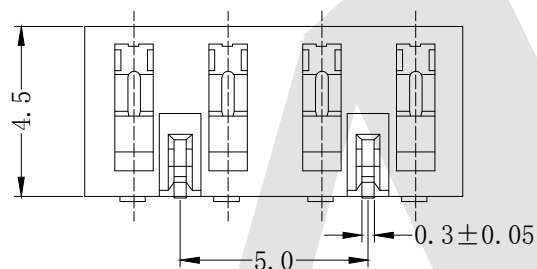
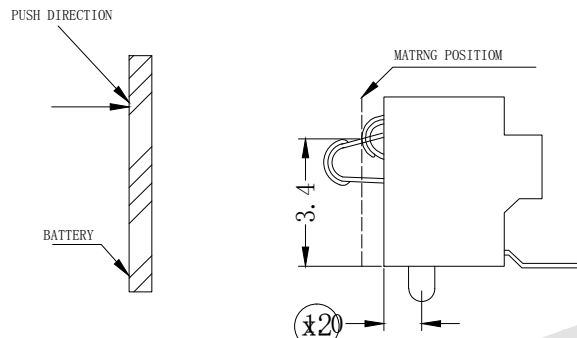
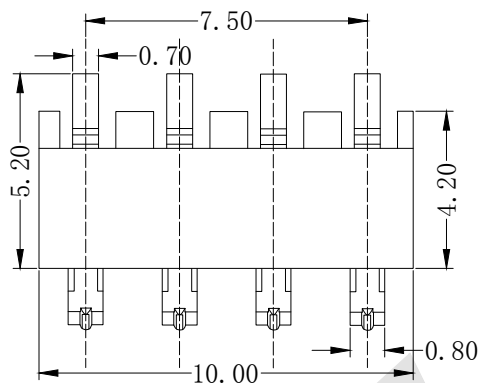


HSF



NOTES:

1. ELECTRICAL PERFORMANCES:

- 1-1. RATING CURRENT: 1A.
- 1-2. RATING VOLTAGE: 250V AC
- 1-3. CONTACT RESISTANCE: 30MΩ
- 1-4. INSULATION RESISTANCE: 1000MΩ
- 1-5. DIELECTRIC WITHSTANDING VOLTAGE: 1000V AC FOR 1 MINUTE.

2. MECHANICAL PERFORMANCE:

- 2-1. DURABILITY: 5000TIMES.
 - 2-2. NORMAL FORCE AT MATING POSITION: 80gMIN
 - 2-3. OPERATION TEMPERATURE: -40° C ~ +85° C
- INSULATOR: 30% GLASS-FILLED THERMOPLASTIC LCP OR EQUIVALENT UL94V-0, BLACK.

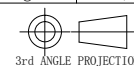
Ordering Code:

ABT07 - 04 - L - B - X - D
 ① ② ③ ④ ⑤ ⑥

- ① Series No:
 - ② No. of Contacts
 - ③ Insulator Material:
 - ④ Pitch
 - ⑤ Contact Plating:
 - ⑥ Packing:
- G0: Gold flash
 G1: 3u" gold
 G2: 5u" gold
 G3: 10u" gold
 G4: 15u" gold
 G5: 30u" gold
- P: PBT+30%GF
 L: LCP
- B: 2.5mm Pitch
 A: Tray
 B: Bag
 C: Tube
 D: Tape Reel

Unless Otherwise specified tolerance
 X. ±0.35 X.XX: ±0.20
 X.X: ±0.25 X.XXX: ±0.15

SCALE: As Shown UNIT: mm
 DRAW: Wu Feng Rong DATE: 10/03/2020
 CHECK: BobYang DATE: 01/13/2019



Antenk ANTENK ELECTRONICS CO., LTD
 Http://www.antenk.com
 E-mail: sales@antenk.com

TITLE: 2.5mm Pitch 4P Battery Connector SMT

DRAWING NO: ABT07-04LBXD

PRODUCT NO: ABT07-04LBXD

REV	DESCRIPTION	DATE