

HSF



SPECIFICATIONS:

ELECTRICAL:

INSULATOR RESISTANCE: 5,000 MegOHMS Min.
DIELECTRIC WITHSTANDING: 1,000 VAC r.m.s.
OPERATING TEMPERATURE: -55°C~+125°C
CONTACT RESISTANCE: 30 MILLIOHMS Max.
POWER PINS: SEE PART No. BELOW

MECHANICAL:

CONTACT INSERTION FORCE: 4.5kg Max
CONTACT SEPARATOR FORCE: 0.3kg Min

MATERIALS:

CONTACTS: BRASS
INSULATOR: SHELL MATERIAL: PEEK WITH
15% GLASS

Ordering Code:

PDB5W1 - M - G0 - B - A

① ② ③ ④ ⑤

① Series

② Contact Type:

③ M:Male F:Female

③ Contact NO.:

G0: Gold flash G1: 3u" Gold

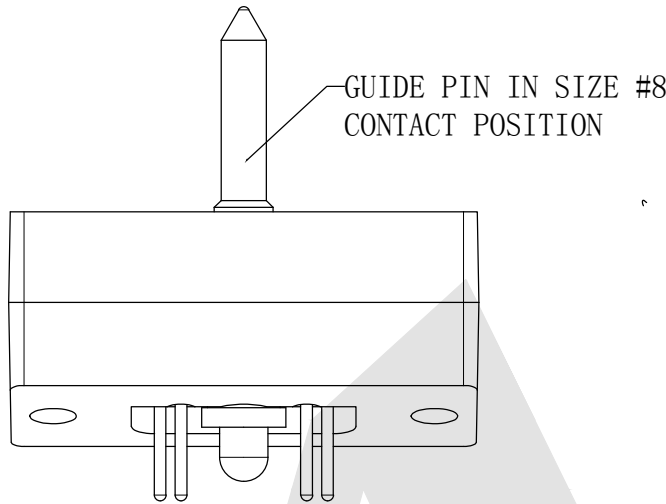
G2: 5u" Gold G3: 10u" Gold

G4: 15u" Gold G5: 30u" Gold

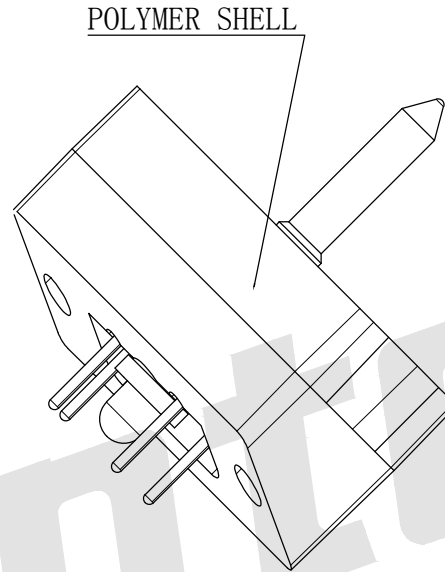
④ Insulation Color Code:

B:Black L:Blue W:White

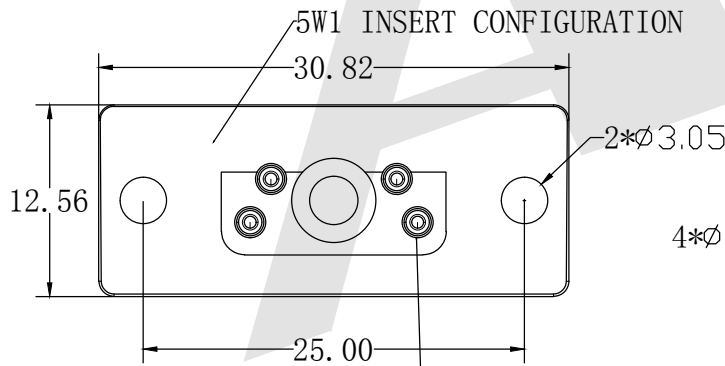
⑤ Series Number:A



GUIDE PIN IN SIZE #8
CONTACT POSITION

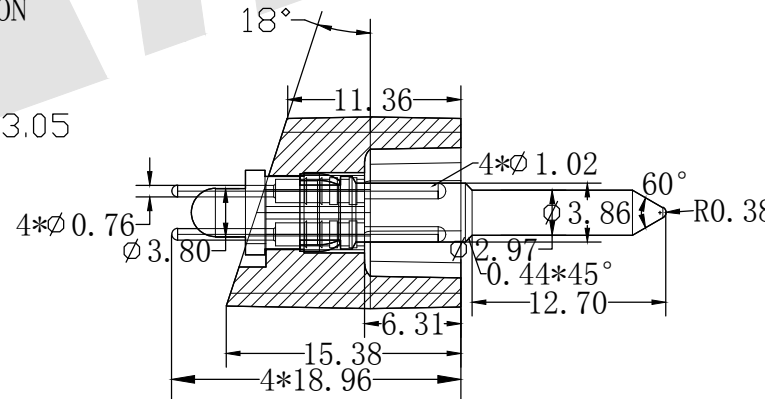


POLYMER SHELL



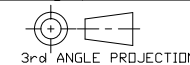
5W1 INSERT CONFIGURATION

4X PIN CONTACTS (SIZE #20)
WITH PC TAIL CONFIGURATION
GOLD PLATING



Unless otherwise specified tolerance
ANGLES±1° X.X:±0.1
X.XX:±0.01 X.XXX:±0.003
X.XXXX:0.0005 SURFACES:±6.3

SCALE: As Shown UNIT: mm
DRAW Wu Feng Rong DATE 10/10/2019
CHECK BobYang DATE 10/10/2019



Antenk® ANTENK ELECTRONICS CO.,LTD
Http://www.antenk.com
E-mail:sales@antenk.com

TITLE:
POWER D-SUB 5W1 MALE

DRAWING NO: PDB5W1-MXXX

PRODUCT NO: PDB5W1-MXXX

REV	DESCRIPTION	DATE