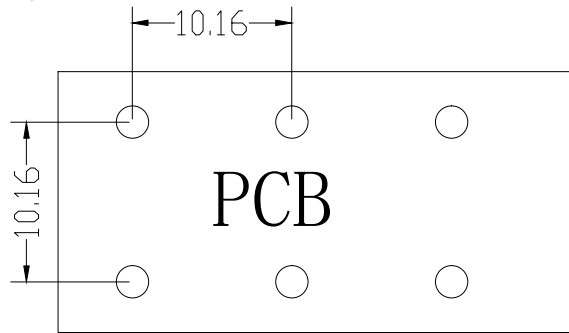
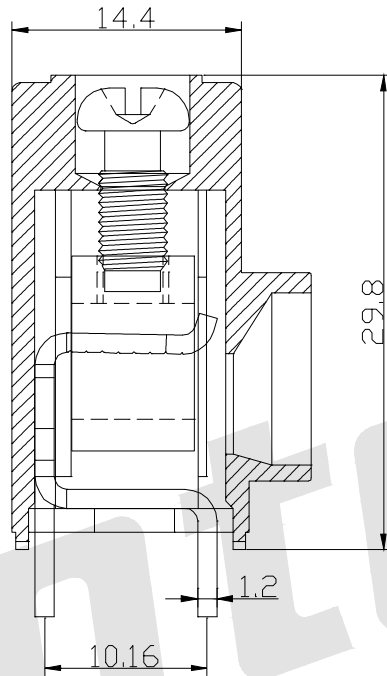
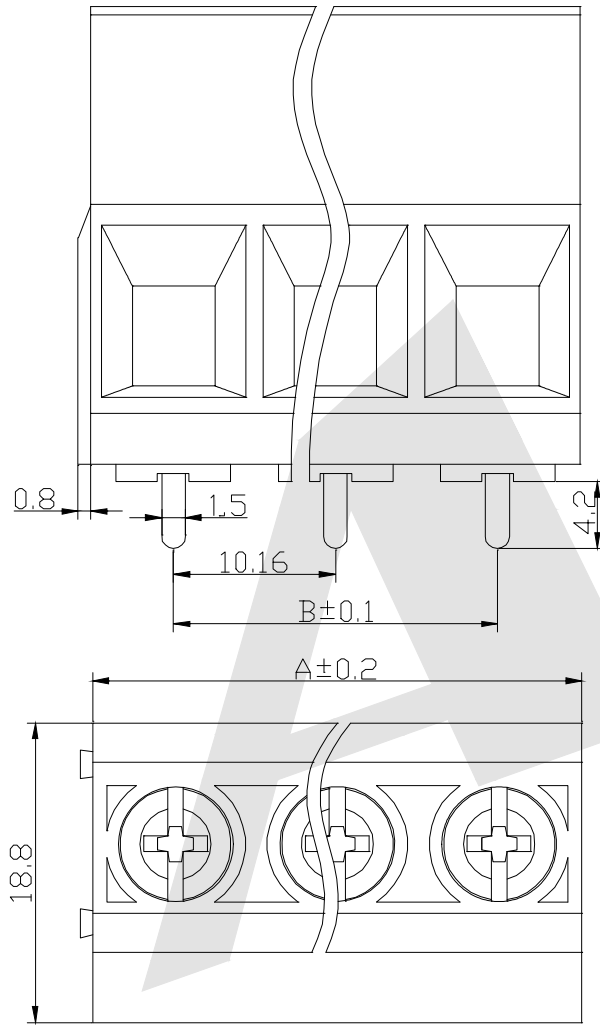


HSF



ROHS



Poles: Any pole (2P-3P-24P)  
 Pitch: 10.16mm  
 Voltage Rating: 300V  
 Current Rating: 52A  
 Wire range: 20-6AWG 1.0mm<sup>2</sup>  
 Housing: PA66 (UL 94V-0)  
 Solder Pin: Brass, Tin Plated  
 Screw: M4.5, Steel (A3), Zinc Plated

AT135 -10.16 -XX - X - A

A: Series No.

Pitch: 10.16:10.16mm  
 Poles: 02: 2 Contacts  
 03: 3 Contacts  
 ...  
 24: 24 Contacts  
 Insulator color: A:Green  
 B:Blue  
 C:Black  
 G:Gray  
 O:Orange

Position	A	B
2	20.5	10.16
3	30.7	20.32

Unless Otherwise specified tolerance  
 X. ±0.35 X.XX: ±0.20  
 X.X: ±0.25 X.XXX: ±0.15

**Antenk**® ANTENK ELECTRONICS CO., LTD  
 Http://www.antenk.com  
 E-mail:sales@antenk.com

SCALE: As Shown UNIT: mm  
 DRAW Wu Sai DATE 22/03/2018  
 CHECK BobYang DATE 22/03/2018

TITLE:  
 PCB Screw Terminal Block Pitch:10.16



DRAWING NO: AT135-10.16XXX-A  
 PRODUCT NO: AT135-10.16XXX-A

REV	DESCRIPTION	DATE
	Added A to the end of this code number	