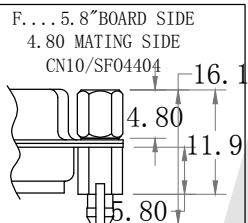
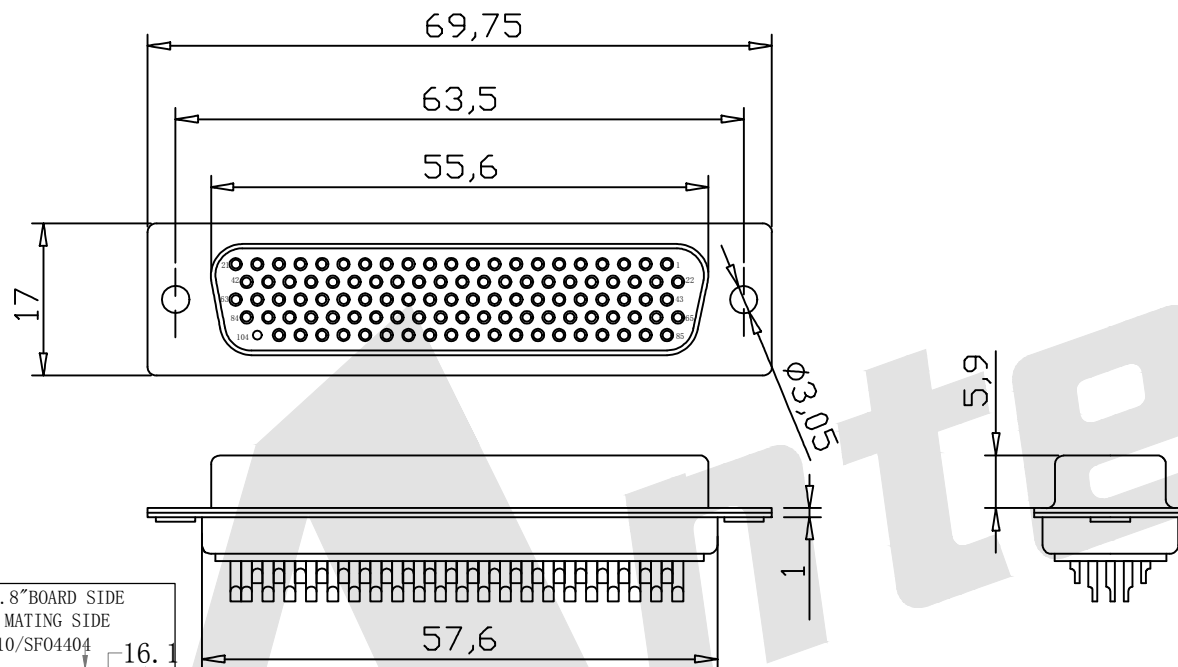
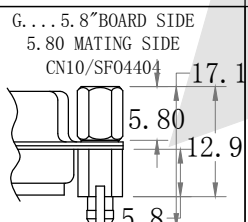


HSF

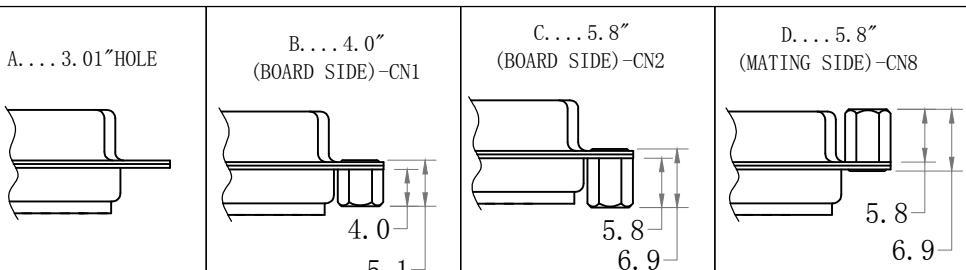


NOTE: 4-40 FEMALE SCREW LOCK IS REMOVABLE



NOTE: 4-40 FEMALE SCREW LOCK IS REMOVABLE

ALL CLINCH-NUTS ARE 4-40 INTERNAL THREADS



MATERIALS AND FINISH
 SHELL: STEEL MATERIAL, FRONT SHELL NICKEL FINISHED
 BACK SHELL NICKEL FINISHED
 INSULATOR: PBT THERMOPLASTIC, 30% GLASS
 FILLED, UL 94V-0 RATED, WHITE COLOR
 CONTACT MATERIAL: BRASS
 CONTACT FINISH: FULL 2u" GOLD
ELECTRICAL CHARACTERISTICS
 CONTACT CURRENT RATING : 5.0 AMPS
 CONTACT RESISTANCE : 30 MILLIOHMS MAX.
 DIELECTRIC WITHSTANDING VOLTAGE : 1000 V AC MIN
 INSULATION RESISTANCE : 5000 MEGAOHMS MIN
 TEMPERATURE RATING : -55°C ~ +105°C

Ordering Code:
 MHDB01 - F - 104 - X - X - X
 ① ② ③ ④ ⑤ ⑥

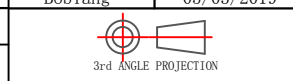
- ① MHDB Series
- ② Contact Type:
M: Female
- ③ Contact NO. :
104=104Pin
- ④ Mounting Option:
A: $\phi 3.05$ " HOLE, NO HARDWARE
B: 4.0" 4-40 INSERT, BOARD SIDE
C: 5.8" 4-40 INSERT, BOARD SIDE
D: 5.8" 4-40 INSERT, MATING SIDE
E: 5.8" 4-40 BOARD LOCK, BOARD SIDE
F: 5.8" BOARD LOCK, BOARD SIDE
4.80" SCREW LOCK, MATING SIDE
G: 5.8" BOARD LOCK, BOARD SIDE
5.80" SCREW LOCK, MATING SIDE
- ⑤ Insulation Color Code:
B: Black G: Grey
W: White L: Blue
- ⑥ Contact Plating
S: Selective Gold
S1: Selective 3u" Gold
S2: Selective 5u" Gold
S3: Selective 10u" Gold
S4: Selective 15u" Gold
S5: Selective 30u" Gold
G0: Gold flash
G1: 3u" Gold over
G2: 5u" Gold over
G3: 10u" Gold over
G4: 15u" Gold over
G5: 30u" Gold over

Unless Otherwise specified tolerance
 DIMENSIONS ARE IN mm
 TOLERANCE: ALL DIMENSIONS ARE ± 0.25 XX: ± 0.20
 X.X: ± 0.25 X.XXX: ± 0.15

Antenk ANTENK ELECTRONICS CO., LTD
 Http://www.antenk.com
 E-mail: sales@antenk.com

TITLE: D-SUB FEMALE High density Solder type Machine 104 Pin

REV	CHANGE MHDB01-FXXXX TO MHDB01-F104XXX	03/04/2019
	DESCRIPTION	DATE



DRAWING NO:	MHDB01-F104XXX
PRODUCT NO:	MHDB01-F104XXX