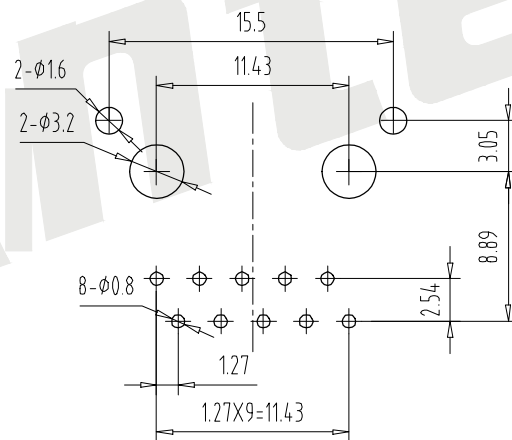
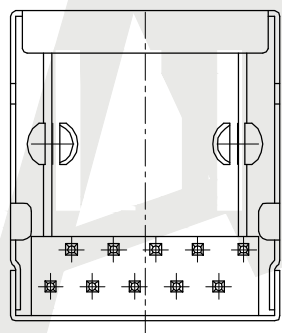
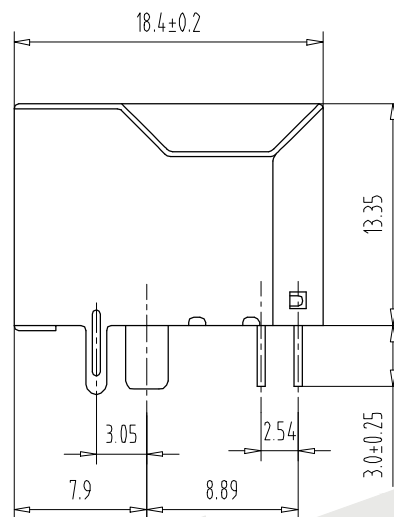
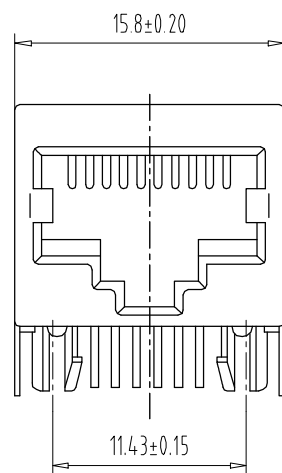


HSF



PC Board Layout  
Component Side Shown

NOTES:

MATERIAL:

1. HOUSING MATERIAL: GLASS FILLED POYESTER UL94V-0.
2. CONTACT MATERIAL: PHOSPHOR BRONZE  $t=0.3\text{mm}$
3. PLATING: SELECTING GOLD PLATING  $1\mu\sim 50\mu$  OVER NICKEL IN CONTACT AREA.  $150\mu$  TIN PLATIN. OVER NICKEL IN SOLDER AREA
4. SHIELD: 0.2mm THICKNESS COPPER WITH NICKEL PLATE ELECTRICAL
1. VOLTAGE RATING: 125VAC RMS
2. CURRENT RATING: 1.5AMP
3. CONTACT RESISTANCE: 30MILLIOHMS MAX
4. INSULATION RESISTANCE 500MEGOHMS MIN @500V DC
5. DIELECTRIC WITHSTANDING RESISTANCE : 1000V AC RMS 50Hz. 1MIN

MECHANICAL

1. DURRABILITY: 750 CYCLES MIN
2. PCB RETENTION PRB-SOLDER: 1 LB MIN REVRONMENTAL
1. STORAGE:  $-40^{\circ}\text{C}$  TO  $85^{\circ}\text{C}$
2. OPERATION:  $0^{\circ}\text{C}$  TO  $70^{\circ}\text{C}$

Order code:

ATRJ5621 - 10P - 8C - X - D - X - A

① ② ③ ④ ⑤ ⑥ ⑦

- |   |                           |
|---|---------------------------|
| ① SERIES NO:                            | ⑥ Ports                   |
| ② NUMBER OF POSITIONS (10P, 8P, 6P, 4P) | A: 1X1P G: 2X1P           |
| ③ NUMBER OF CONTACTS (10C, 8C, 6C, 4C)  | B: 1X2P H: 2X2P           |
| ④ Contact Plating                       | C: 1X4P I: 2X3P           |
| G0: Gold flash                          | D: 1X5P J: 2X4P           |
| G1: 3U" Gold                            | E: 1X6P K: 2X6P           |
| G2: 5U" Gold                            | F: 1X8P L: 2X8P           |
| G3: 10U" Gold                           | ⑦ PCB layout style:       |
| G4: 15U" Gold                           | A: TYPE 1 front legs 3.05 |
| G5: 30U" Gold                           | B: TYPE 1 front legs 3.68 |
| SN: Tin                                 | C: TYPE 1 front legs 4.57 |
| ⑤ Shield                                | D: TYPE 2 Back legs 3.05  |
| A: W/O Shield                           | E: TYPE 2 Back legs 3.68  |
| B: Half Shield                          | F: TYPE 2 Back legs 4.57  |
| C: Shield W/Eml                         |                           |
| D: Shield W/O Eml                       |                           |

Unless Otherwise specified tolerance  
 X. ±0.35 X.XX: ±0.20  
 X.X: ±0.25 X.XXX: ±0.15

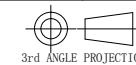
**Antenk**® ANTENK ELECTRONICS CO., LTD  
[Http://www.antenk.com](http://www.antenk.com)  
 E-mail: sales@antenk.com

SCALE: As Shown	UNIT: mm
DRAW Wu Feng Rong	DATE 22/03/2018
CHECK BobYang	DATE 22/03/2018

TITLE: RJ45 Jack side entry, Full Plastic 1X1P Front3.05

DRAWING NO: ATRJ5621-10P10C-X-D-X-A

PRODUCT NO: ATRJ5621-10P10C-X-D-X-A



REV	DESCRIPTION	DATE
1		
2		
3		
4		
5		
6		
7		
8		