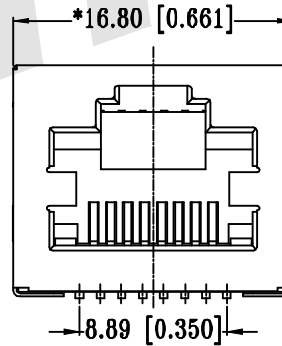
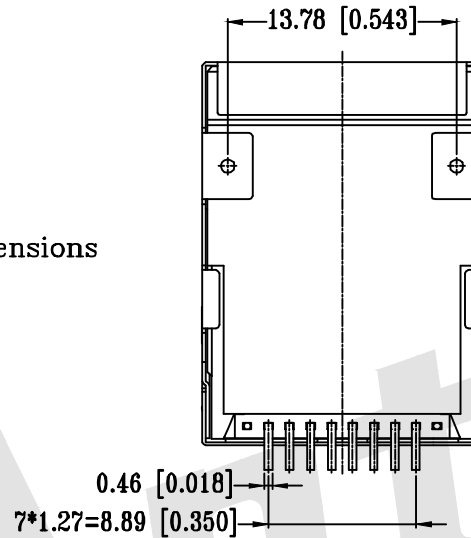
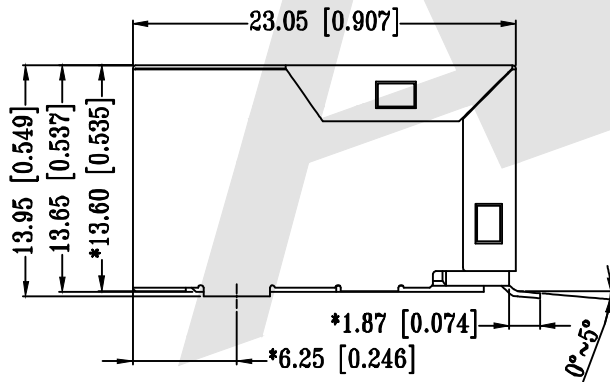


HSF



Unless otherwise specified, all dimensions tolerances is $\pm 0.254 / 0.010$.



Notes:

- CONNECTOR MATERIAL:
 HOUSING: FR52G30BL NCO10 GREEN 369C UL94 V-0
 INSERTER: FR52G30BL NCO10 GREEN 369C UL94 V-0
 SHIELD: Brass
 SHIELD PLATING: NICKEL
 CONTACT: COOPER ALLOY
 CONTACT PLATING: SELECTIVE GOLD, 6 MICRO-INCHS MIN IN CONTACT AREA
- PIN NOT ELECTRICALLY CONNECTED MAYBE OMITTED SEE ELECTRICAL DRAWING FOR OMITTED PINS
- RJ45 CAVITIES CONFORM TO FCC RULES AND REGULATION PART 68.
- THE PART IS RECOMMENDED FOR WAVE SOLDERING PROCESS
 PEAK SOLDERING TEMPERATURE IS 260° C MAX, 10 SECS MAX
- OPERATING TEMPERATURE T=0° C TO +70° C.
- STORAGE TEMPERATURE T=-40° C TO +85° C.
- ALL CRITICAL DIMENSIONS WITH "*"

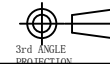
Unless Otherwise specified tolerance
 X. ± 0.35 X.XX: ± 0.20
 X.X: ± 0.25 X.XXX: ± 0.15

Antenk ANTENK ELECTRONICS CO.,LTD
[Http://www.antenk.com](http://www.antenk.com)
 E-mail:sales@antenk.com

SCALE: As Shown UNIT: mm
 DRAW Wu Sai DATE 22/03/2018
 CHECK BobYang DATE 22/03/2018

TITLE:
 RJ45 ICM(10/100 Base-T 1 Port)

DRAWING NO: ATRT-8-A-XX-003
 PRODUCT NO: ATRT-8-A-XX-003



3rd ANGLE PROJECTION

REV	DESCRIPTION	DATE

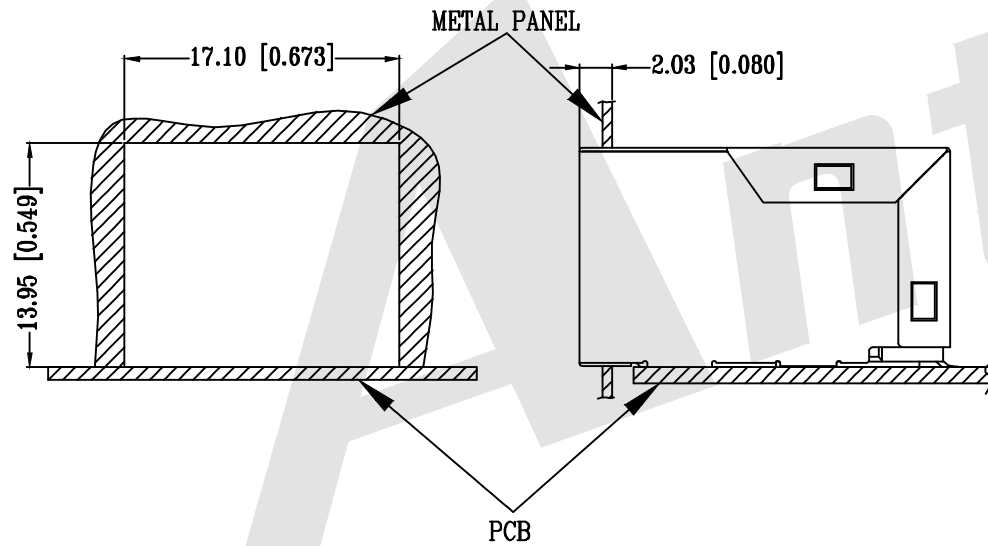
HSF



Order code:

UNIT: mm / inch
Tolerances: ±0.10 / 0.004

ATRT — 8 — A — X — X — 003
(1) (2) (3) (4) (5)



(1) Type of product code

8	RJ45 SMD TYPE
---	---------------

(2) Number of contact ports

A	RJ45 1*1
---	----------

(3) Product dimension definition

A	With LED W/O EMI
G	Without LED without EMI
I	Without LED unshield
J	With LED unshield

(4) Plating product definition

G0	G0ld flash
G1	3U" G0ld
G2	6U" G0ld
G3	10U" G0ld
G4	15U" G0ld
G5	30U" G0ld
SN	Tin

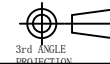
(5) Series number: 003

Unless Otherwise specified tolerance
X. ±0.35 X.XX: ±0.20
X.X: ±0.25 X.XXX: ±0.15

Antenk ANTENK ELECTRONICS CO.,LTD
Http://www.antenk.com
E-mail:sales@antenk.com

SCALE: As Shown UNIT: mm
DRAW Wu Sai DATE 22/03/2018
CHECK BobYang DATE 22/03/2018

TITLE:
RJ45 ICM(10/100 Base-T 1 Port)



DRAWING NO: ATRT-8-A-XX-003
PRODUCT NO: ATRT-8-A-XX-003

D

D

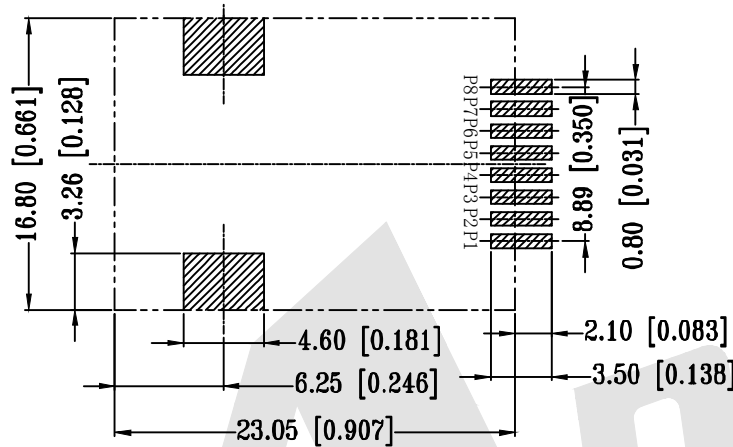
REV	DESCRIPTION	DATE
1		
2		
3		
4		
5		

REV	DESCRIPTION	DATE
1		
2		
3		
4		
5		

HSF

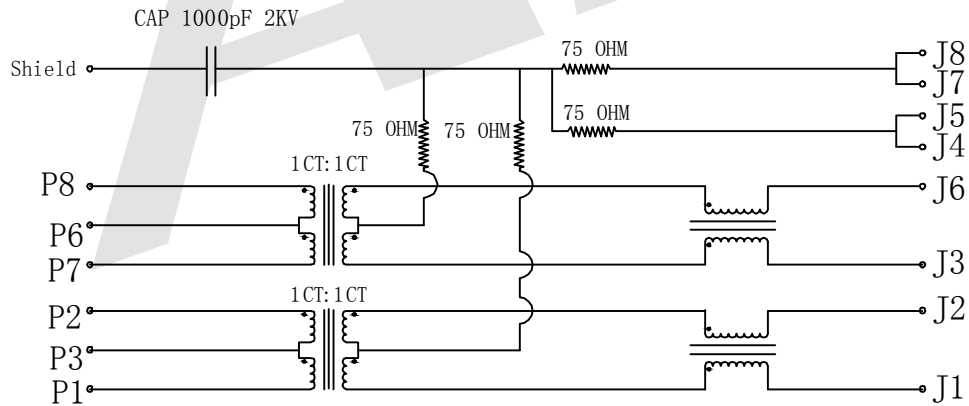


UNIT: mm / inch
Tolerances: ±0.10 / 0.004



Electronical Specifications:

- 1 Turn Ratio @100KHz: (P1~P2):(J1~J2) = 1:1±5%
(P7~P8):(J3~J6) = 1:1±5%
- 2 Primary Inductance: 350uH MIN @100KHZ,0.1V 8mA DC BIAS
- 3 DC Resistance:(J1~J2):(J3~J6) 1.2 OHMS MAX
- 4 Insertion Loss: 1-100MHz -1.2dB MAX
- 5 Return Loss: 1-30MHz -16dB MIN
30-60MHz -12dB MIN
60-80MHz -10dB MIN
- 6 CROSS TALK: 1-100MHz -30dB MIN
- 7 COMMON TO COMMON MODE ATTENUATION: 1-100MHz -30dB MIN
- 8 Isolation: PHY Side to Line Side: 1500VAC or 2250VDC



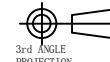
Unless Otherwise specified tolerance
X. ±0.35 X.XX: ±0.20
X.X: ±0.25 X.XXX: ±0.15

Antenk ANTENK ELECTRONICS CO.,LTD
Http://www.antenk.com
E-mail:sales@antenk.com

SCALE: As Shown UNIT: mm
DRAW Wu Sai DATE 22/03/2018
CHECK BobYang DATE 22/03/2018

TITLE:
RJ45 ICM(10/100 Base-T 1 Port)

DRAWING NO: ATRT-8-A-XX-003
PRODUCT NO: ATRT-8-A-XX-003



REV	DESCRIPTION	DATE