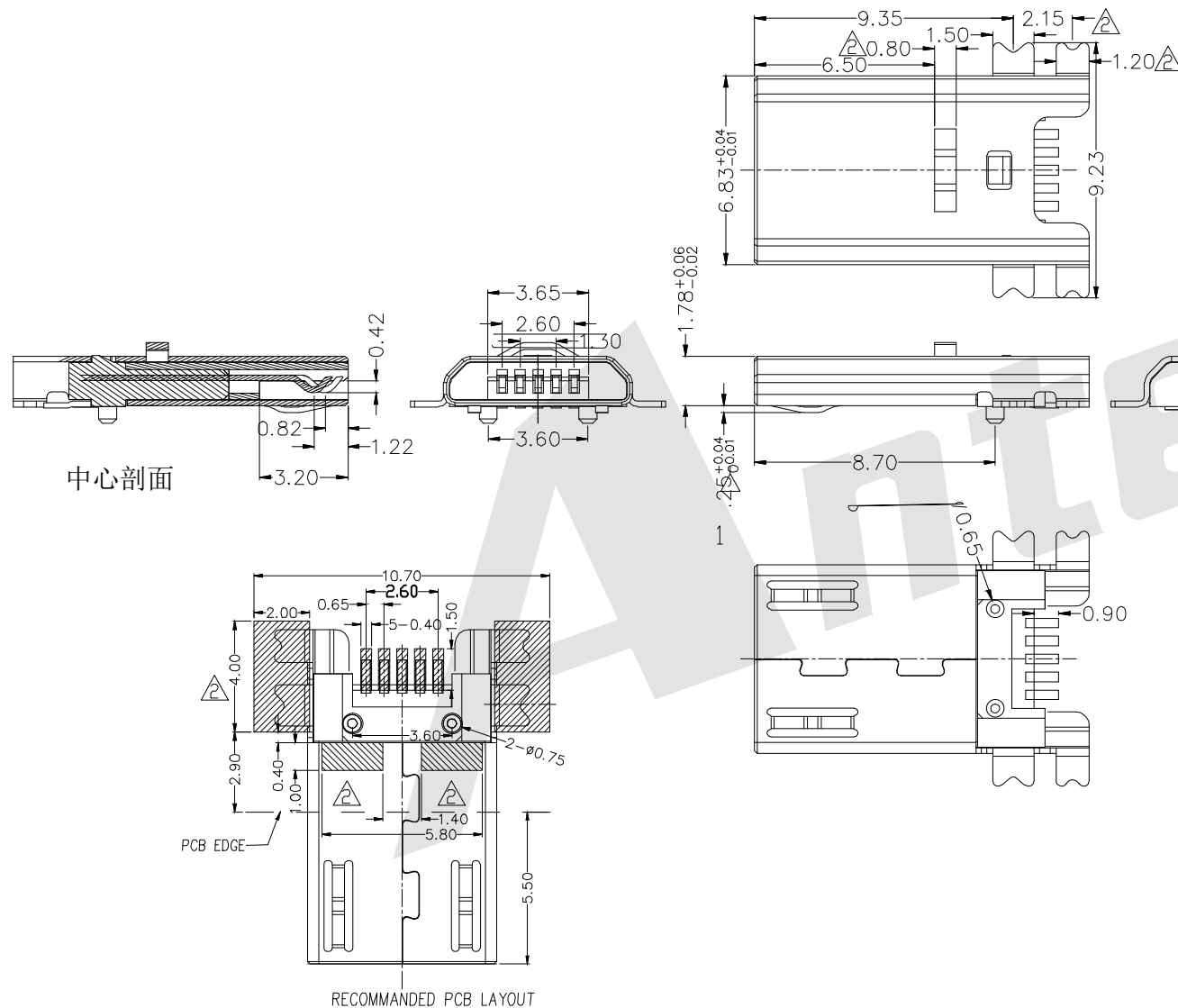


HSF



- SPECIFICATIONS:**
- 1. MATERIAL:**
 - 1.1 HOUSING:LCP, COLOR:BLACK
 - 1.2 CONTACT:Phosphor Bronze T=0.2mm, Gold/Tin Plated
 - 1.3 SHELL:Brass,Nickel Plated
 - 2. ELECTRICAL CHARACTERISTICS:**
 - 2.1 RATED CURRENT (MAX) :0.5A
 - 2.2 RATED VOLTAGE (MAX) :100V AC
 - 2.3 CONTACT RESISTANCE:50MILLIOHMS MAX
 - 2.4 INSULATION RESISTANCE:100MEGOHMS MINIMUM
 - 2.5 DIELECTRIC WITHSTANDING VOLTAGE: 100V AC AT SEA LEVEL

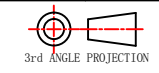
Ordering Code:
 MUMM02 - X - L - X - X - X

①	②	③	④	⑤	⑥
---	---	---	---	---	---

① Series No:
 ② Shell Material:
 B:Brass
 S:stainless steel
 ③ Insulator Material:
 L:LCP
 ④ Contact Material:
 B:Brass
 P:phosphor copper
 ⑤ Contact Plating
 G0: Gold flash
 G1: 3u" Gold
 G2: 5u" Gold
 G3: 10u" Gold
 G4: 15u" Gold
 G5: 30u" Gold
 ⑥ Packing
 A:Tray
 B:Bag
 C:Tube
 D:Tape&Reel

Unless Otherwise specified tolerance
 X. ±0.35 X.XX: ±0.20
 X.X: ±0.25 X.XXX: ±0.15

SCALE: As Shown UNIT: mm
 DRAW Lv Xun Hua DATE 04/06/2019
 CHECK BobYang DATE 04/06/2019



Antenk ANTENK ELECTRONICS CO.,LTD
[Http://www.antenk.com](http://www.antenk.com)
 E-mail:sales@antenk.com

TITLE: Micro USB 5P Plug SMT Type
 DRAWING NO: MUMM02-XLXXX
 PRODUCT NO: MUMM02-XLXXX

REV	DESCRIPTION	DATE
1		
2		
3		
4		
5		