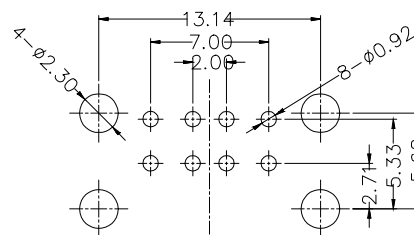
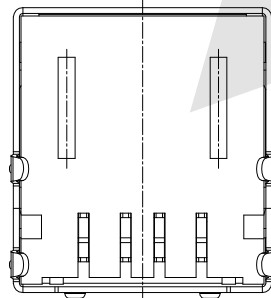
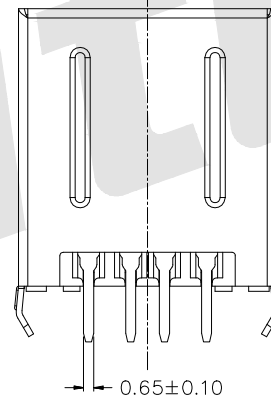
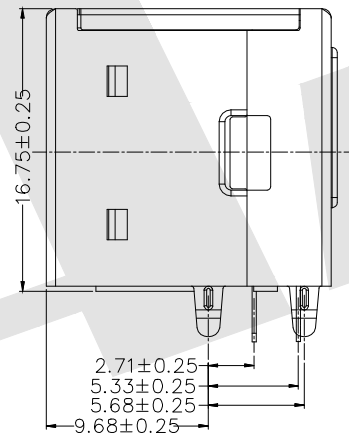
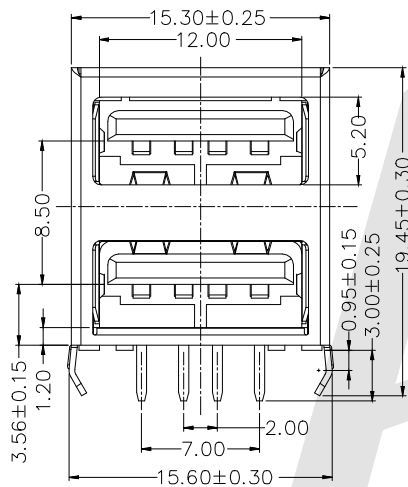
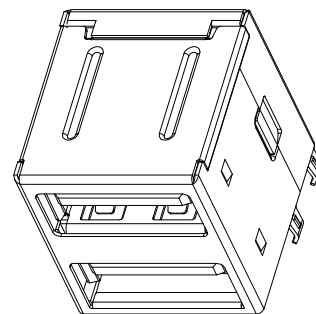
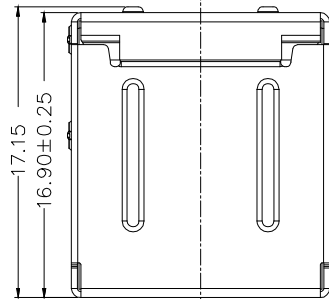


HSF



ROHS



RECOMMEND P. C. B. LAYOUT

Specifications:

Current Rating: 1.5A Max  
 Contact Resistance: 30 milliohms MAX  
 Dielectric Withstanding Voltage: 500V AC AT Sea Level  
 Insulation Resistance: 1000 Megohms MIN  
 Housing: Temperature Thermoplastics, PBT UL 94V-0  
 Contact: Copper Alloy T=0.20mm Plated Gold in Mating Area; Tin On Solder Tails  
 Shell: Iron T=0.30mm Nickel/Plating

Ordering Code:

UAFR15 - X - X - X - X - X - X

① ② ③ ④ ⑤ ⑥ ⑦

① Series No:

② Shell Material:

B:Brass I:Iron  
 S:stainless steel

③ Insulator Material:

P:PBT+30%GF  
 L:LCP

④ Contact Material:

B:Brass  
 P:phosphor copper

⑤ Contact Plating

G0: Gold flash  
 G1: 3u" Gold  
 G2: 5u" Gold  
 G3: 10u" Gold  
 G4: 15u" Gold  
 G5: 30u" Gold

⑥ Color Insulator

A:White  
 B:Black

⑦ Packing

A:Tray  
 B:Bag  
 C:Tube  
 D:Tape & Reel

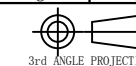
Unless Otherwise specified tolerance  
 X. ±0.35 X.XX: ±0.20  
 X.X: ±0.25 X.XXX: ±0.15



ANTENK ELECTRONICS CO., LTD  
 Http://www.antenk.com  
 E-mail:sales@antenk.com

SCALE: As Shown	UNIT: mm
DRAW Lv Xun Hua	DATE 17/06/2019
CHECK BobYang	DATE 17/06/2019

TITLE:  
 USB A Type Receptacle angle double stack, Full shield, No spring



DRAWING NO: UAFR15-XXXXXX  
 PRODUCT NO: UAFR15-XXXXXX

REV	DESCRIPTION	DATE