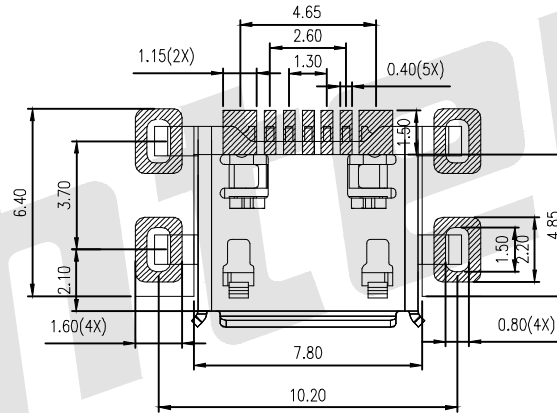
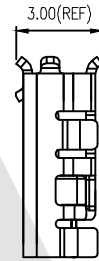
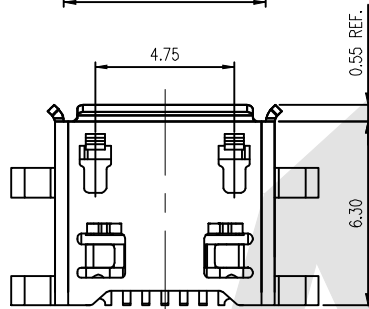
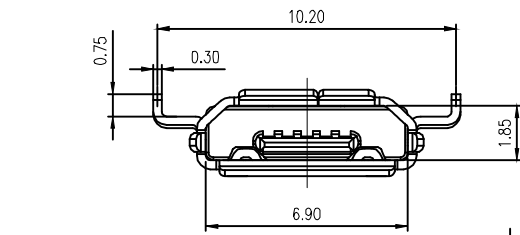
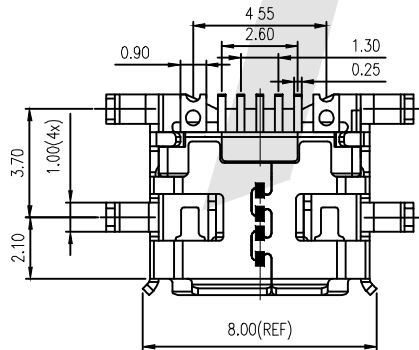
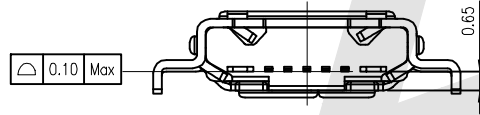
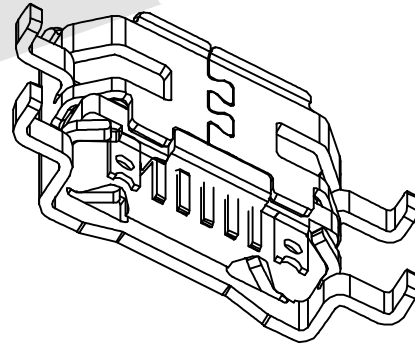


HSF



RECOMMENDED PCB LAYOUT (TOP VIEW)
GENERAL TOLERANCE: ±0.05



SPECIFICATIONS:

1. Material:

- 1.1 Housing: High temperature thermoplastic with G.F, UL94V-0
- 1.2 Contact: Copper alloy, t=0.15mm
- 1.3 Shell: Stainless Steel, t=0.30mm

2. Electrical Characteristics:

- 2.1 Current rating: 1 A MAX.
- 2.2 Dielectric withstanding voltage: 100V AC for 1 minute
- 2.3 Contact resistance: 100 mΩ Min.
- 2.4 Insulation resistance: 100 MΩ Min.
- 2.5 Total mating force: 3.57 kgf Max.
- 2.6 Total unmating force: 1.0kgf min. 0.81-2.05 kgf min. after 10000 insertion/extraction cycles
- 2.7 Temperature range: -30° C To +85° C

Ordering Code:

MUFM38 - X - L - X - X - X
① ② ③ ④ ⑤ ⑥

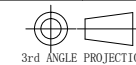
- ① Series No:
- ② Shell Material:
B: Brass
S: Stainless steel
- ③ Insulator Material:
L: LCP
- ④ Contact Material:
B: Brass
P: Phosphor Copper
- ⑤ Contact Plating:
G0: Gold flash
G1: 3u" Gold
G2: 5u" Gold
G3: 10u" Gold
G4: 15u" Gold
G5: 30u" Gold
- ⑥ Packing:
A: Tray B: Bag
C: Tube D: Tape & Reel

Unless Otherwise specified tolerance
X. ±0.35 X.XX: ±0.20
X.X: ±0.25 X.XXX: ±0.15

Antenk® ANTENK ELECTRONICS CO., LTD
Http://www.antenk.com
E-mail: sales@antenk.com

SCALE: As Shown UNIT: mm
DRAW Lv Xun Hua DATE 04/06/2019
CHECK BobYang DATE 04/06/2019

TITLE:
MICRO USB 5P B Type Receptacle Connector
SMT With Four Shell Dip(10.20mm), Sink0.65mm



DRAWING NO: MUFM38-XLXXX
PRODUCT NO: MUFM38-XLXXX

REV	DESCRIPTION	DATE