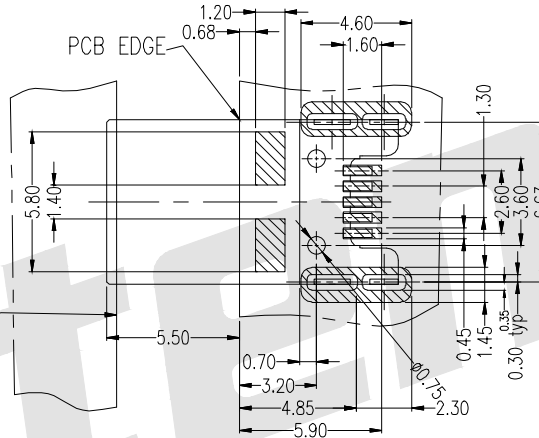
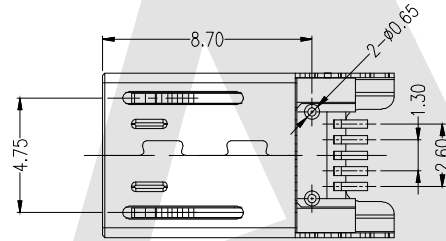
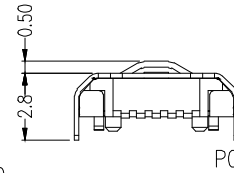
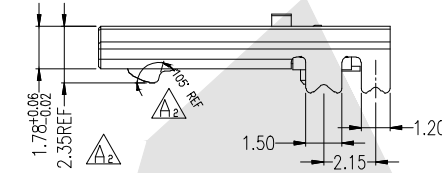
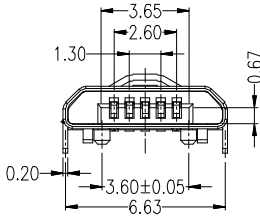
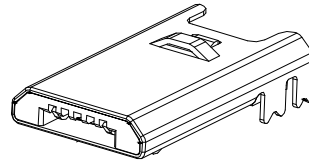
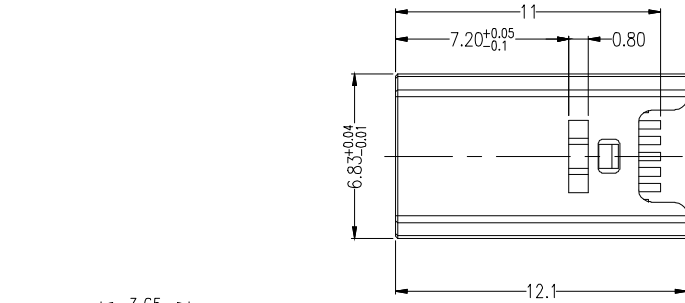


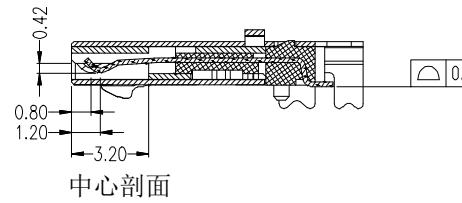
HSF



ROHS



RECOMMENDED PCB Layout
TOL:±0.05mm



SPECIFICATIONS:

1. MATERIAL:
- 1.1 HOUSING:LCP, COLOR:BLACK
 - 1.2 CONTACT:Phosphor Bronze T=0.2mm, Gold/Tin Plated
 - 1.3 SHELL:Brass, Nickel Plated
2. ELECTRICAL CHARACTERISTICS:
- 2.1 RATED CURRENT (MAX): 0.5A
 - 2.2 RATED VOLTAGE (MAX): 100V AC
 - 2.3 CONTACT RESISTANCE:50MILLIOHMS MAX
 - 2.4 INSULATION RESISTANCE:100MEGOHMS MINIMUM
 - 2.5 DIELECTRIC WITHSTANDING VOLTAGE: 100V AC AT SEA LEVEL

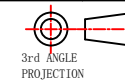
Ordering Code:

MUMMO3 - X - L - X - X - X
① ② ③ ④ ⑤ ⑥

- ① Series No:
- ② Shell Material:
B:Brass
S:stainless steel
- ③ Insulator Material:
L:LCP
- ④ Contact Material:
B:Brass
P:phosphor copper
- ⑤ Contact Plating:
G0: Gold flash
G1: 3u" Gold
G2: 5u" Gold
G3: 10u" Gold
G4: 15u" Gold
G5: 30u" Gold
- ⑥ Packing:
A:Tray
B:Bag
C:Tube
D:Tape&Reel

Unless Otherwise specified tolerance
X. ±0.35 X.XX: ±0.20
X.X: ±0.25 X.XXX: ±0.15

SCALE: As Shown	UNIT: mm
DRAW Lv Xun Hua	DATE 04/06/2019
CHECK BobYang	DATE 04/06/2019



Antenk ANTENK ELECTRONICS CO.,LTD
Http://www.antenk.com
E-mail:sales@antenk.com

TITLE: Micro USB 4P Plug SMT Type

DRAWING NO: MUMMO3-XLXXX

PRODUCT NO: MUMMO3-XLXXX

REV

DESCRIPTION

DATE

1 2 3 4 5 6 7 8