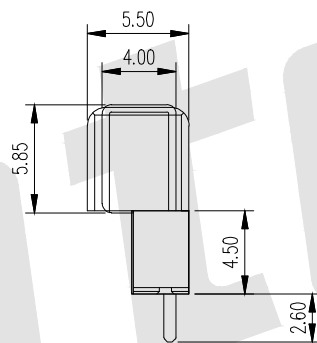


Recommended P.C.B Layout
T=1.2MM Tolerances ± 0.05 MM



No. of Pins	Dimension		
	DIM.A	DIM.B	DIM.C
04	13.65	6.00	12.26
05	15.65	8.00	14.26
06	17.65	10.00	16.26
07	19.65	12.00	18.26
08	21.65	14.00	20.26
09	23.65	16.00	22.26
10	25.65	18.00	24.26
11	27.65	20.00	26.26
12	29.65	22.00	28.26

NOTE:

1. Material:

1. 1Housing:PA9T (UL94V-0)

1. 2Terminal:C2681

2. Specification:

Current Rating:7A

Voltage Rating:30V/AC

Instant Current:10A

Contact Resistance:30m Ω

Insulation Resistance:100M Ω

Dielectric Withstanding Voltage:500VAC

Operating Temperature:-40 $^{\circ}$ ~105 $^{\circ}$

Order code:

ABT27 - 06 - L - A - X - D

① ② ③ ④ ⑤ ⑥

① Series No:

② No. of Contacts

12:12Pin

③ Insulator Material:

P:Nylon 9T Black

④ Pitch

A:2.0mm Pitch

⑤ Contact Plating:

G0:Gold flash

G1:3u" gold

G2: 5u" gold

G3:10u" gold

G4:15u" gold

G5:30u" gold

⑥ Packing:

A:Tray

B:Bag

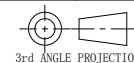
C:Tube

D:Tape Reel

Unless Otherwise specified tolerance

X. ± 0.35 X.XX: ± 0.20
X.X: ± 0.25 X.XXX: ± 0.15

SCALE: As Shown UNIT: mm
DRAW Wu Feng Rong DATE 16/03/2020
CHECK BobYang DATE 16/03/2020



Antenk ANTENK ELECTRONICS CO., LTD
Http://www.antenk.com
E-mail:sales@antenk.com

TITLE: 2.0 Notebook Computer 06 Circuit
Battery Connector Male

DRAWING NO: ABT27-06LAXD

PRODUCT NO: ABT27-06LAXD

REV	DESCRIPTION	DATE