

HSF



SPECIFICATIONS:

1. Electrical Characteristics:

- 1.1 Current Rating:1A
- 1.2 Dielectric Withstanding Voltage:250V DC
- 1.3 Contact Resistance:50mΩ Max
- 1.4 Insulation Resistance:100MΩ Min 250V DC

2. Material And Plating:

- 2.1 Housing:LCP UL94V-0
- 2.2 Contact:C2680R-H, 50u" Nickel Underplating Over All, 1u" Gold Plated On Contact Area
- 2.3 Shell:SUS, 80u" Nickel Plated

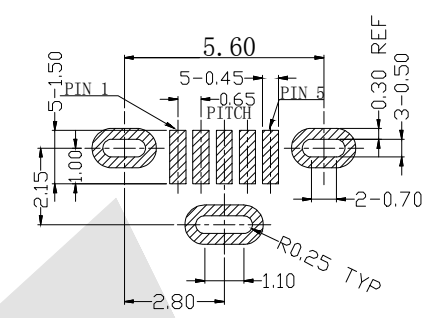
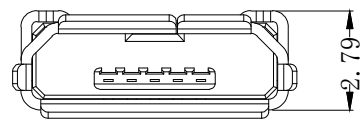
3. Mechanical Characteristics:

- 3.1 PIN Strength Back:0.5kgf Min
- 3.2 Wetting property:Tempreture $235 \pm 5^\circ$, Time $5 \pm 0.5s$
- 3.3 Total Mating Force: $3.57kgf$ Max
- 3.4 Total Unmating Force: $1.00kgf$ Min
- 3.5 Durability:5000 Cycles
- 3.6 Temperature Resistance: $250 \pm 5^\circ$, Two Minutes
- 3.7 Operating Tempreture: $-30^\circ C$ + $80^\circ C$

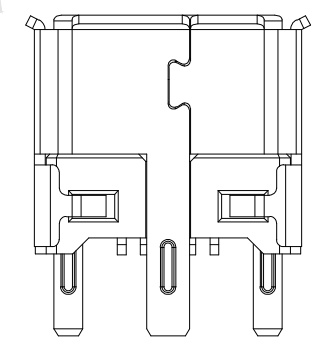
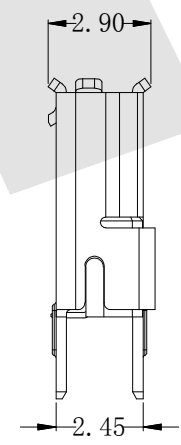
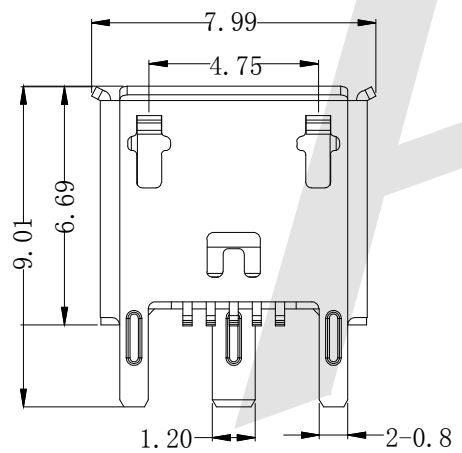
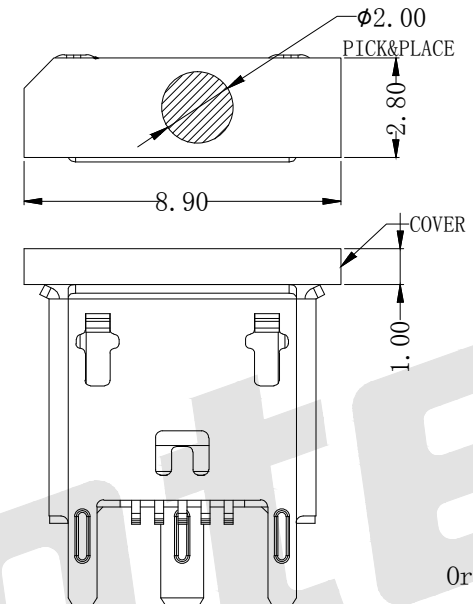
Order code:

MUFM43 - X - X - X - X - X - B
 ① ② ③ ④ ⑤ ⑥ ⑦

- ① Series N0:
- ② Shell Material:
B:Brass I:Iron
S:stainless steel
- ③ Insulator Material:
P:PBT+30%GF
L:LCP
- ④ Contact Material:
B:Brass
P:phosphor copper
- ⑤ Contact Plating
G0:Gold flash
G1: 3U" Gold
G2: 5U" Gold
G3:10U" Gold
G4:15U" Gold
G5:30U" Gold
- ⑥ Packing
A:Tray
B:Bag
C:Tube
D:Tape & Reel+Cap
- ⑦ Series number



RECOMMEND PCB LAYOUT (THICKNESS=1.6mm)
 TOLERANCE: ± 0.05



Unless Otherwise specified tolerance
 X. ± 0.35 X.XX: ± 0.20
 X.X: ± 0.25 X.XXX: ± 0.15

SCALE: As Shown UNIT: mm
 DRAW YG ZHONG DATE 11/29/2016
 CHECK BobYang DATE 11/29/2016



Antenk® ANTENK ELECTRONICS CO., LTD
 Http://www.antenk.com
 E-mail:sales@antenk.com

TITLE: Micro USB 5P Receptacle
 B Type Vertical SMT

DRAWING NO: MUFM43-XXXXXB

PRODUCT NO: MUFM43-XXXXXB

REV	DESCRIPTION	DATE
1		
2		
3		
4		
5		