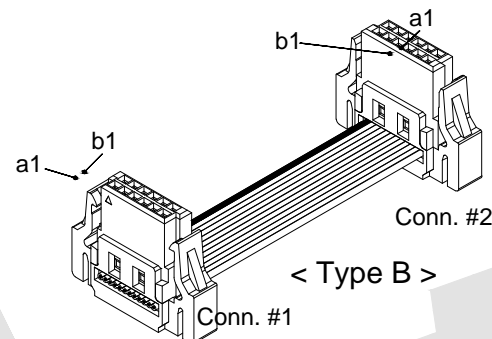
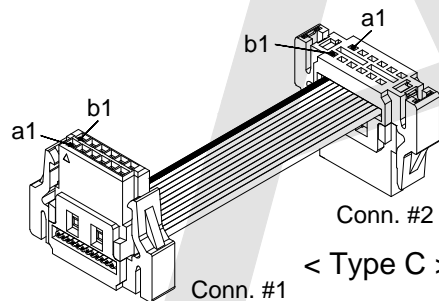


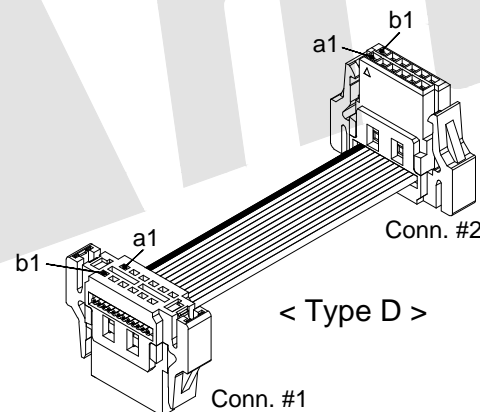
< Type A >



< Type B >



< Type C >



< Type D >

ORDERING CODE :

ATK-SWC01 XX XXXX XX G0 B

Connector Series
IDC Female Connector
For 0.635 Pitch Flat Cable

Contact Pos.
See DIM. Pos.

Cable Lengh EX.
530:530MM
1000:1000MM

Packsge:B:Bag

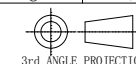
Contact Plating:

G0:Gold flash S0:Selective
G1:3U" Gold S1:Selective 3u"
G2:5u" Gold S2:Selective 5u"
G3:10u" Gold S3:Selective 10u"
G4:15u" Gold S4:Selective 15u"
G5:30u" Gold S5:Selective 30u"
SN:Tin

Connection Type
A, B, C... (See Drawing)

Unless Otherwise specified tolerance
X. ±0.35 X.XX: ±0.20
X.X: ±0.25 X.XXX: ±0.15

SCALE: As Shown	UNIT: mm
DRAW Wu Feng Rong	DATE 24/03/2020
CHECK BobYang	DATE 24/03/2020



Antenk® ANTENK ELECTRONICS CO.,LTD
Http://www.antenk.com
E-mail:sales@antenk.com

TITLE:
1.27 Pitch IDC Female Flat Cable

DRAWING NO: ATK-SWC01XXXXXXXXG0B

PRODUCT NO: ATK-SWC01XXXXXXXXG0B

REV	DESCRIPTION	DATE

Specifications:

Connector:

Housing Material:LCP, UL94V-0
 Latch Cover Material:PA66, UL94V-0
 Contact Material:Copper Alloy
 Spring Material:Stainless
 Contact Plating: Au Over Ni (See Ordering Information)

Cable:

Size:30 AWG
 Outer Diameter:0.66±0.1
 Pitch:0.635MM
 material:PVC
 Voltage-Withstand:150V
 Conductor Resistance:Max:300Ω/KM FT 20° C
 Insulation Resistance:Min:100MΩ/KM FT 20° C
 Max Operating Temp.:-20° C ~ +105° C

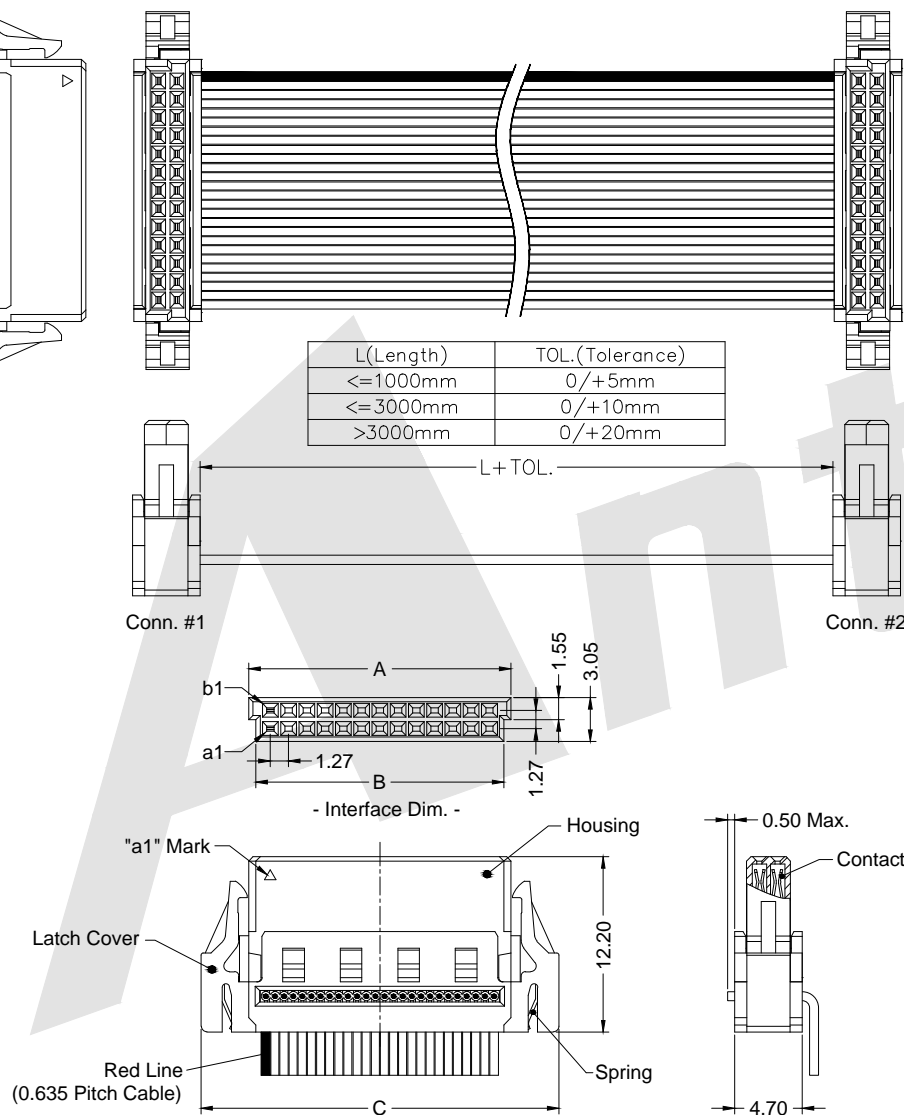
Mechanical:

Mating Force:≤0.5N (Per-Pin)
 Separating Force:≥0.1N (Per-Pin)
 Mating Cycle:500

L(Length)	TOL.(Tolerance)
≤1000mm	0/+5mm
≤3000mm	0/+10mm
>3000mm	0/+20mm

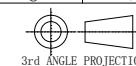
DIM. TABLE

PIN NO.	DIM A	DIM B	DIM C
12	9.35	8.35	16.00
16	11.89	10.89	18.54
20	14.43	13.43	21.08
26	18.24	17.24	24.89
32	22.05	21.05	28.70
40	27.13	26.13	33.78
50	33.48	32.48	40.13
68	44.91	43.91	51.56
80	58.88	57.88	65.53



Unless Otherwise specified tolerance
 X. ±0.35 X.XX: ±0.20
 X.X: ±0.25 X.XXX: ±0.15

SCALE: As Shown UNIT: mm
 DRAW: Wu Feng Rong DATE: 24/03/2020
 CHECK: BobYang DATE: 24/03/2020



Antenk ANTENK ELECTRONICS CO., LTD
 Http://www.antenk.com
 E-mail:sales@antenk.com

TITLE: 1.27 Pitch IDC Female Flat Cable

DRAWING NO: ATK-SWC01XXXXXXXXXGOB

PRODUCT NO: ATK-SWC01XXXXXXXXXGOB

REV	DESCRIPTION	DATE
1		