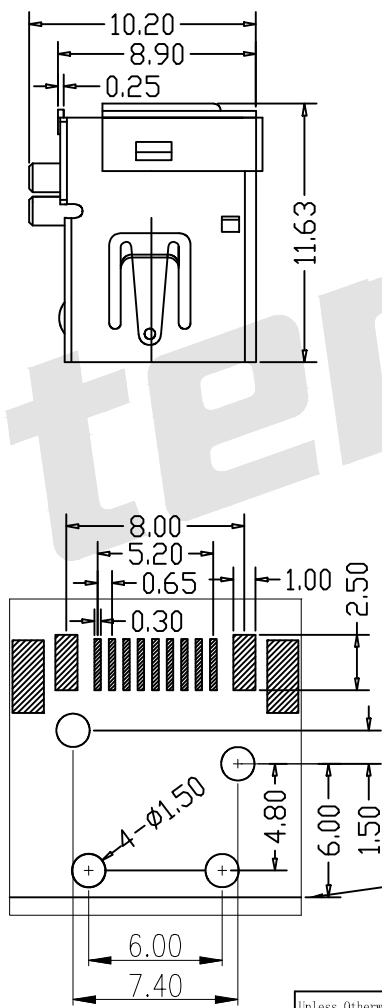
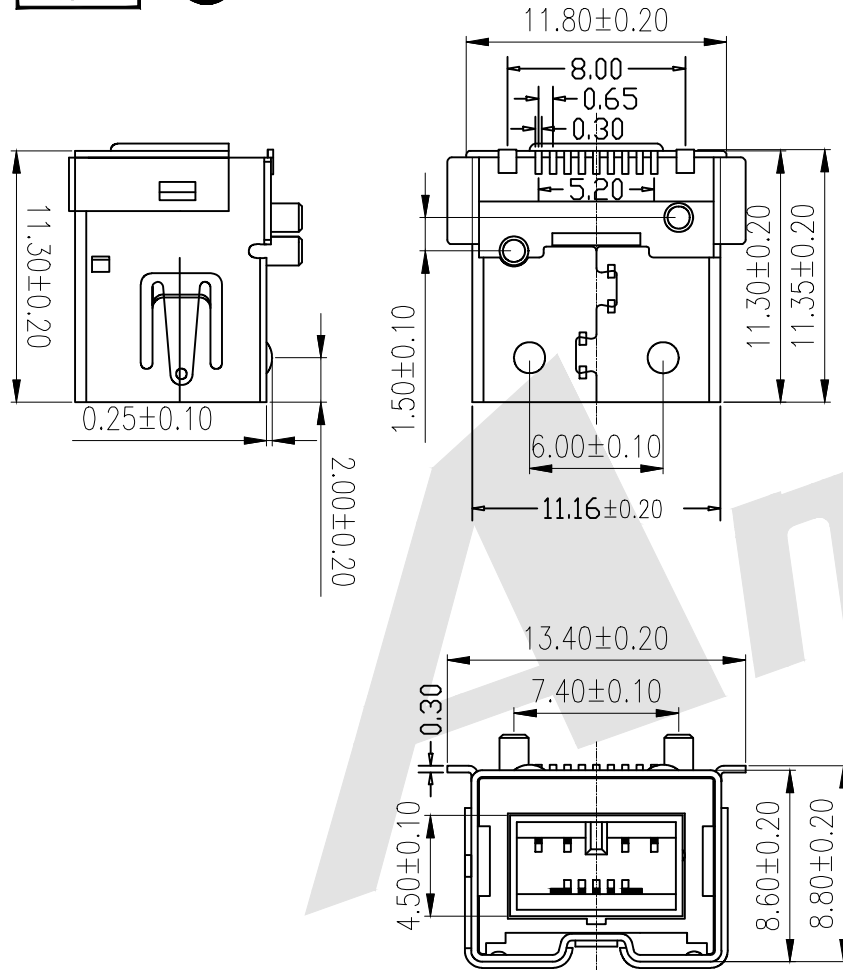


HSF



ROHS



Specifications:  
 Current Rating: 1.5A Max  
 Contact Resistance: 50 milliohms MAX  
 Dielectric Withstanding Voltage: 500V AC AT Sea Level  
 Insulation Resistance: 500 Megohms MIN  
 Operating Temperature: -20° C to +85° C

Housing:  
 Temperature Thermoplastics, PBT UL 94V-0  
 Contact:  
 Copper Alloy T=0.25mm Plated Gold in Mating Area;  
 Tin On Solder Talls  
 Shell:  
 Copper Alloy/Steel T=0.30mm Nickel/Plating

Ordering Code:  
 IEFM02 - X - X - X - X - X  
 ① ② ③ ④ ⑤ ⑥

- ① Series No:
- ② Shell Material:  
 B: Brass I: Iron  
 S: stainless steel
- ③ Insulator Material:  
 P: PBT+30%GF  
 L: LCP  
 T: PA6T
- ④ Contact Material:  
 B: Brass  
 P: phosphor copper
- ⑤ Contact Plating  
 G0: Gold flash  
 G1: 3u" Gold  
 G2: 5u" Gold  
 G3: 10u" Gold  
 G4: 15u" Gold  
 G5: 30u" Gold
- ⑥ Packing  
 A: Tray  
 B: Bag  
 C: Tube  
 D: Tape Reel

PCB Layout

Unless Otherwise specified tolerance	
X. ±0.35	X.XX: ±0.20
X.X: ±0.25	X.XXX: ±0.15
SCALE: As Shown	UNIT: mm
DRAW Lv Yun Hua	DATE 29/06/2019
CHECK BobYang	DATE 29/06/2019

**Antenk** ANTEK ELECTRONICS CO., LTD  
 Http://www.antenk.com  
 E-mail:sales@antenk.com

TITLE:  
 1394 9P Receptacle SMT

DRAWING NO: IEFM02-XXXXXX  
 PRODUCT NO: IEFM02-XXXXXX

REV	DESCRIPTION	DATE
1		
2		
3		
4		
5		

