

SPECIFICATIONS:

- Voltage rating: 250V AC/DC
- Current rating: 3A AC/DC
- Withstanding Voltage: 800V AC/minute
- Insulation resistance: 500MΩ Min.
- Temperature range: -25°C To +85°C
- Contact resistance: 20mΩ Max.

Standards

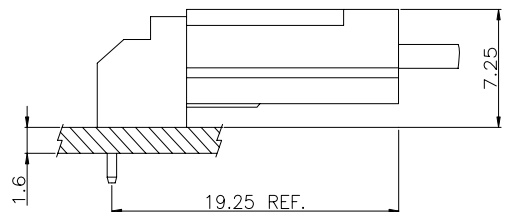
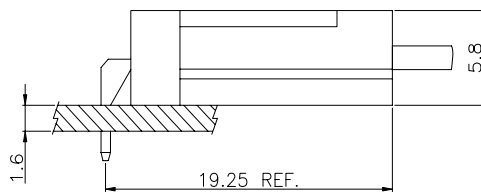
HSF



RoHS

Wire to Board

Assembly Layout



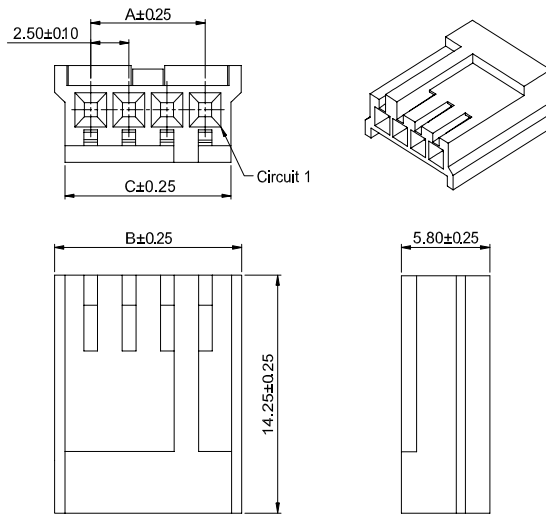
DIP TYPE

Connectors Expert Around You

2.50mm Pitch housing connector

HOUSING

- Part NO.: AH2544-xP
- Suitable: AT2544T series Terminal
- Mates with: AW2544 series Wafer
- Material: Nylon 66, UL94V-0
- Color: White



Ordering Information & Dimensions:

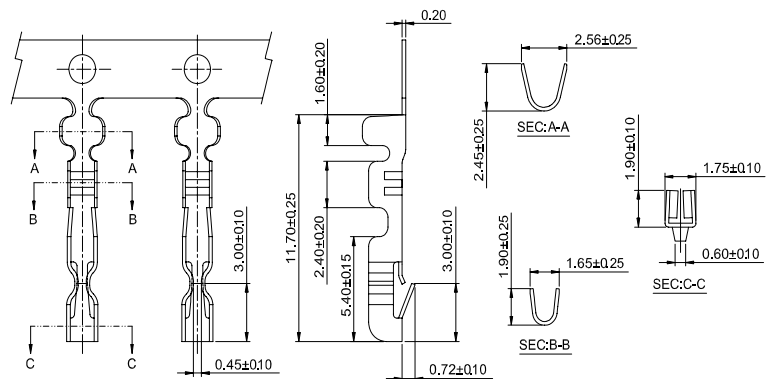
Poles	Part No.	Dimensions (mm)		
		A	B	C
02	AH2544-02P	2.50	7.25	5.90
03	AH2544-03P	5.00	9.75	8.40
04	AH2544-04P	7.50	12.25	10.90
05	AH2544-05P	10.00	14.75	13.40
06	AH2544-06P	12.50	17.25	15.90
07	AH2544-07P	15.00	19.75	18.40
08	AH2544-08P	17.50	22.25	20.90
09	AH2544-09P	20.00	24.75	23.40
10	AH2544-10P	22.50	27.25	25.90
11	AH2544-11P	25.00	29.75	28.40
12	AH2544-12P	27.50	32.25	30.90

Wire to Board

2.50mm Pitch crimp terminal connector

TERMINAL

- Part NO.: AT2544T-xP
- Applicable wire: AWG#20-#26
- Material: Brass or Phosphor Bronze
- Finish: Tin Plated or Gold
- Used in AH2544 series Housing



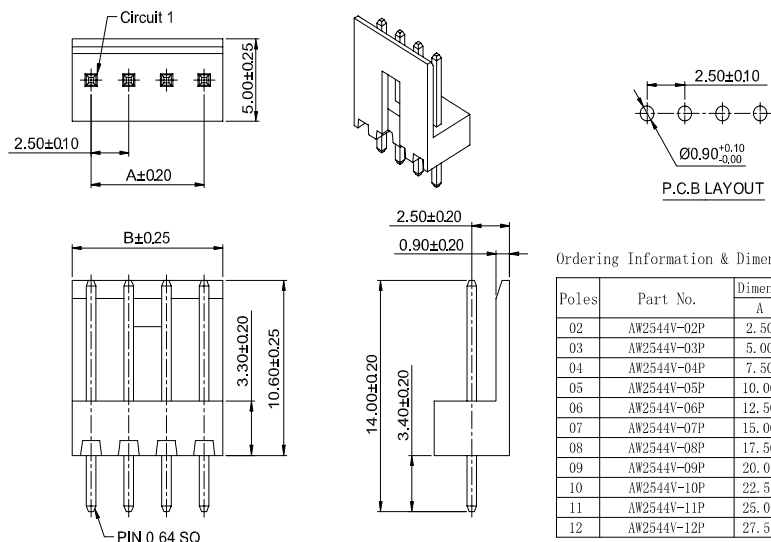
Ordering information & Specifications

Part NO.	Wire Range	Insulation O.D.	Material	Finish	Qty/reel
AT2544T-TB	AWG#20-#26	1.90mm(max)	Brass	Tin over Nickel	10,000 PCS
AT2544T-TP	AWG#20-#26	1.90mm(max)	Phosphor Bronze	Tin over Nickel	10,000 PCS
AT2544T-GB	AWG#20-#26	1.90mm(max)	Brass	Gold over Nickel	10,000 PCS
AT2544T-GP	AWG#20-#26	1.90mm(max)	Phosphor Bronze	Gold over Nickel	10,000 PCS

2.50mm Pitch 180° wafer connector

WAFER

- Part NO.: AW2544V-xP
- Material: Pin: Brass/Tin over Nickel
- Insulator: Nylon 66, UL94V-0
- Mates with: AH2544 series Housing
- Color: White



Ordering Information & Dimensions:

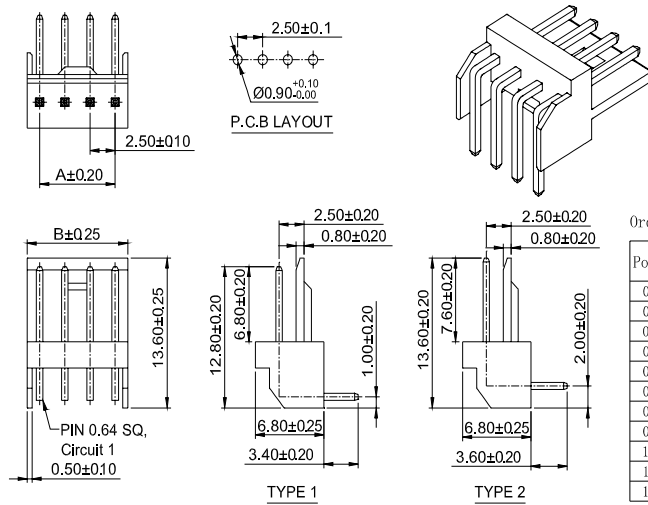
Poles	Part No.	Dimensions (mm)	
		A	B
02	AW2544V-02P	2.50	5.00
03	AW2544V-03P	5.00	7.50
04	AW2544V-04P	7.50	10.00
05	AW2544V-05P	10.00	12.50
06	AW2544V-06P	12.50	15.00
07	AW2544V-07P	15.00	17.50
08	AW2544V-08P	17.50	20.00
09	AW2544V-09P	20.00	22.50
10	AW2544V-10P	22.50	25.00
11	AW2544V-11P	25.00	27.50
12	AW2544V-12P	27.50	30.00

Connectors Expert Around You

2.50mm Pitch 90° wafer connector

WAFER

- Part NO.:AW2544R-xP
- Material:Pin:Brass/Tin over Nickel
- Insulator:Nylon 66,UL94V-0
- Mates with:AH2544 series Housing
- Color:White



Ordering Information & Dimensions:

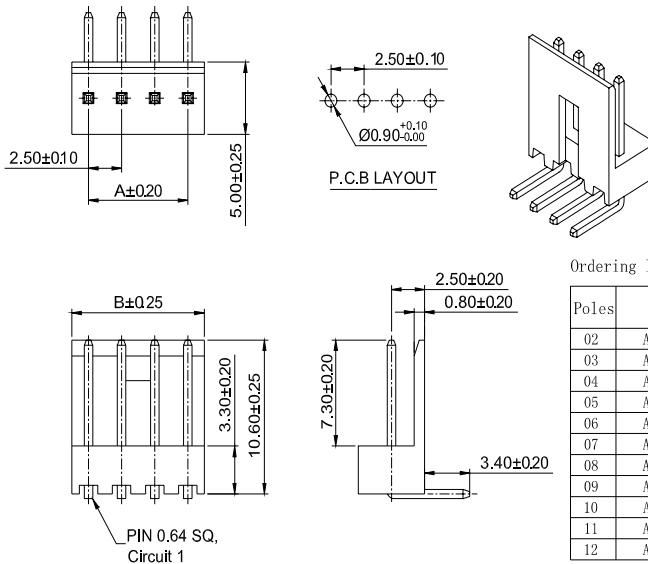
Poles	Part No.	Dimensions (mm)	
		A	B
02	AW2544R-02P	2.50	5.00
03	AW2544R-03P	5.00	7.50
04	AW2544R-04P	7.50	10.00
05	AW2544R-05P	10.00	12.50
06	AW2544R-06P	12.50	15.00
07	AW2544R-07P	15.00	17.50
08	AW2544R-08P	17.50	20.00
09	AW2544R-09P	20.00	22.50
10	AW2544R-10P	22.50	25.00
11	AW2544R-11P	25.00	27.50
12	AW2544R-12P	27.50	30.00

Wire to Board

2.50mm Pitch 90° wafer connector

WAFER

- Part NO.:AW2544VR-xP
- Material:Pin:Brass/Tin over Nickel
- Insulator:Nylon 66,UL94V-0
- Mates with:AH2544 series Housing
- Color:White



Ordering Information & Dimensions:

Poles	Part No.	Dimensions (mm)	
		A	B
02	AW2544VR-02P	2.50	5.00
03	AW2544VR-03P	5.00	7.50
04	AW2544VR-04P	7.50	10.00
05	AW2544VR-05P	10.00	12.50
06	AW2544VR-06P	12.50	15.00
07	AW2544VR-07P	15.00	17.50
08	AW2544VR-08P	17.50	20.00
09	AW2544VR-09P	20.00	22.50
10	AW2544VR-10P	22.50	25.00
11	AW2544VR-11P	25.00	27.50
12	AW2544VR-12P	27.50	30.00