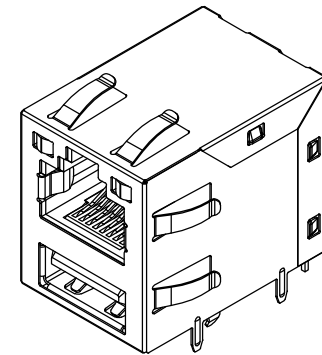
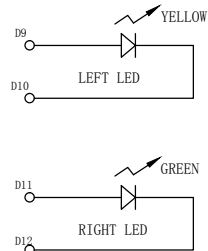
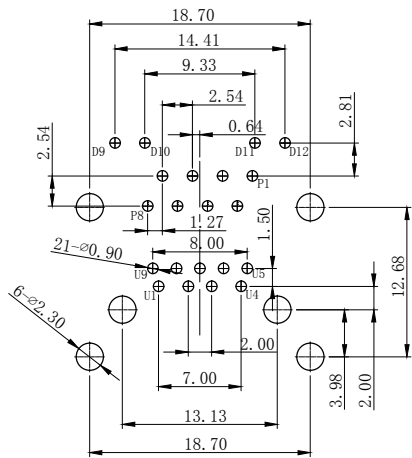
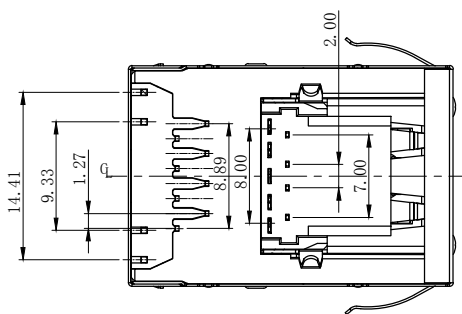
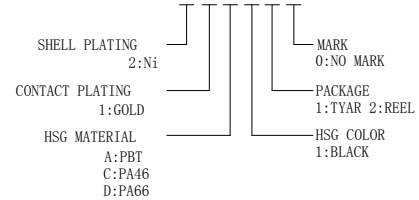


NOTE:
 1. MATERIAL:
 1.1 HOUSING: (HIGH TEMP.) THERMOPLASTIC
 UL94V-0 BLACK
 1.2 CONTACT: COPPER ALLOY
 1.3 SHELL: COPPER ALLOY
 2. FINISH:
 2.1 CONTACT: GOLD PLATED OVER
 2.2 SHELL: NICKEL PLATING OVERALL
 3. LED1: YELLOW
 4. LED2: GREEN
 5. PART NO. DESCRIPTION:
 RJA - 1 X X X X X X-046



RECOMMENDED P.C.B LAYOUT
 TOP VIEW (COMPONENT SIDE)

Unless Otherwise specified tolerance
 X. \pm 0.35 X.XX: \pm 0.20
 X.X: \pm 0.25 X.XX: \pm 0.15
 SCALE: As Shown UNIT: mm
 DRAW Wu Feng Rong DATE 01/05/2016
 CHECK Bob Yang DATE 01/05/2016

Antenk ANTENK ELECTRONICS CO., LTD
[Http://www.antenk.com](http://www.antenk.com)
 E-mail:sales@antenk.com

TITLE: MUMS13

DRAWING NO:

PRODUCT NO:



REV	DESCRIPTION	DATE
1		
2		
3		
4		
5		