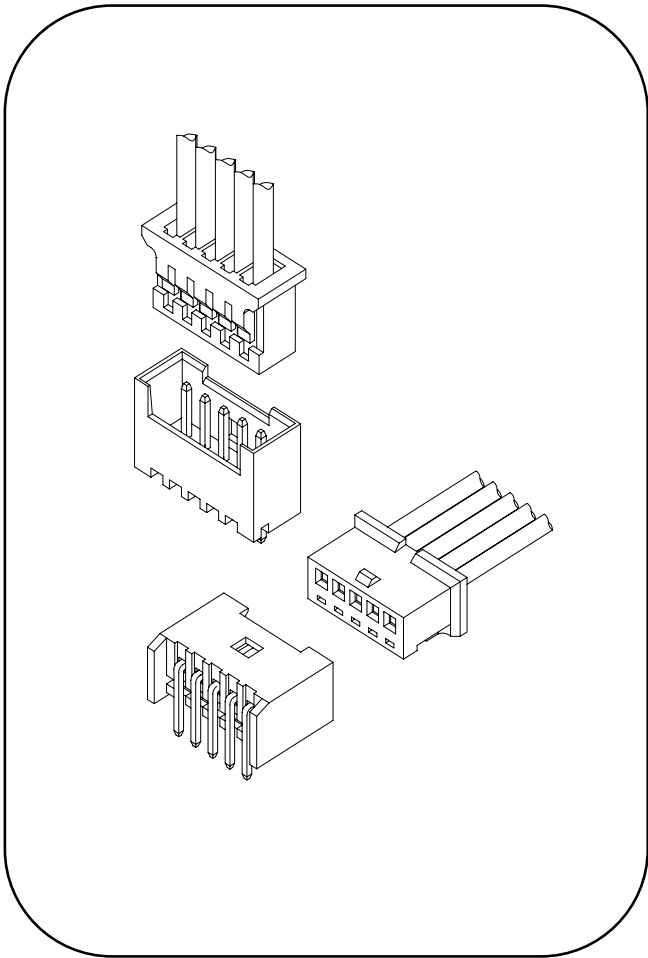


## SPECIFICATIONS:

- Voltage rating: 200V AC/DC
- Current rating: 1A AC/DC
- Withstanding Voltage: 500V AC/minute
- Insulation resistance: 100MΩ Min.
- Temperature range: -40°C To +105°C
- Contact resistance: 20mΩ Max.



## Standards

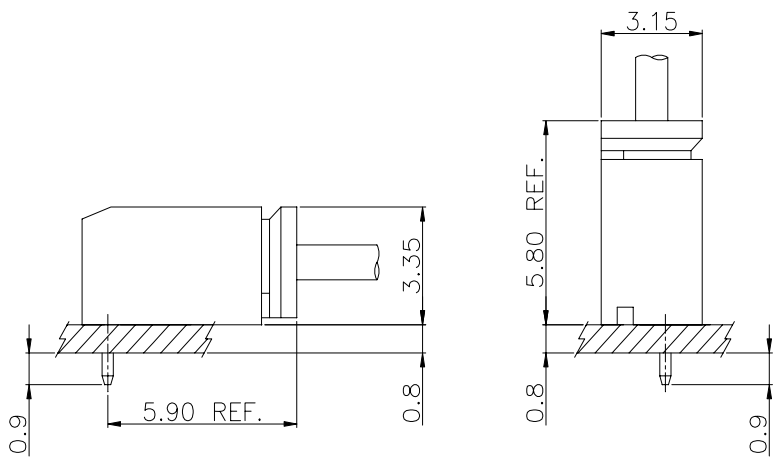
HSF



RoHS

Wire to Board

## Assembly Layout

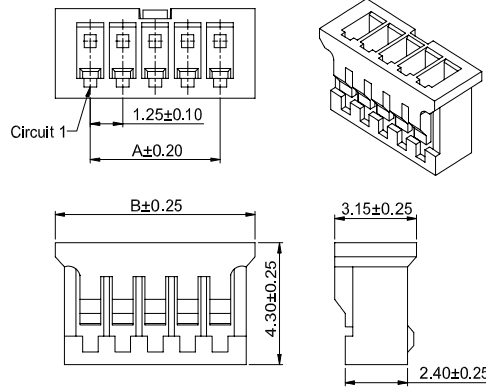


DIP TYPE

## 1.25mm Pitch housing connector

### HOUSING

- Part NO.:AH1253-xP
- Suitable:AT1253T series Terminal
- Mates with:AW1253 series Wafer
- Material:Nylon 66,UL94V-0
- Color:Reddish brown



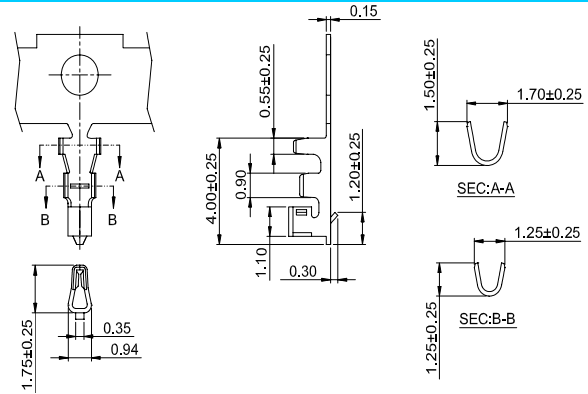
Ordering Information & Dimensions:

Poles	Part No.	Dimensions(mm)	
		A	B
02	AH1253-02P	1.25	3.95
03	AH1253-03P	2.50	5.20
04	AH1253-04P	3.75	6.45
05	AH1253-05P	5.00	7.70
06	AH1253-06P	6.25	8.95
07	AH1253-07P	7.50	10.20
08	AH1253-08P	8.75	11.45
09	AH1253-09P	10.00	12.70
10	AH1253-10P	11.25	13.95
11	AH1253-11P	12.50	15.20
12	AH1253-12P	13.75	16.45
13	AH1253-13P	15.00	17.70
14	AH1253-14P	16.25	18.95
15	AH1253-15P	17.50	20.20

## 1.25mm Pitch crimp terminal connector

### TERMINAL

- Part NO:AT1253T-xP
- Applicable wire:AWG#28-#32
- Material:Phosphor Bronze
- Finish:Tin Plated or Gold
- Used in AH1253 series Housing



Ordering information & Specifications

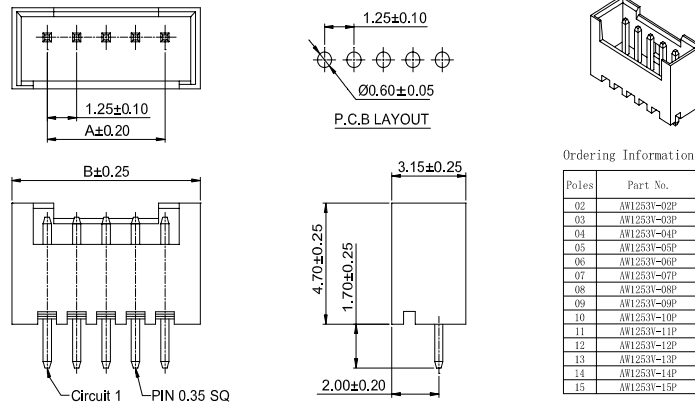
Unit:mm

Part NO.	Wire Range	Insulation O.D.	Material	Finish	Qty/reel
AT1253T-1P	AWG#28-#32	1.00mm(max)	Phosphor Bronze	Tin over Nickel	10,000 PCS
AT1253T-4P	AWG#28-#32	1.00mm(max)	Phosphor Bronze	Gold over Nickel	10,000 PCS

## 1.25mm Pitch 180° wafer connector

### WAFER

- Part NO:AW1253V-xP
- Material:Pin:Brass/Tin over Nickel
- Insulator:Nylon 66, UL94V-0
- Mates with:AH1253 series Housing
- Color: Reddish brown



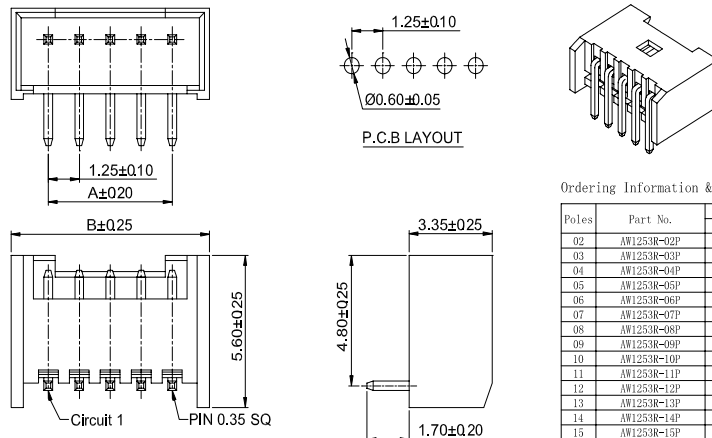
Ordering Information & Dimensions:

Poles	Part No.	Dimensions(mm)	
		A	B
02	AW1253V-02P	1.25	4.25
03	AW1253V-03P	2.50	5.50
04	AW1253V-04P	3.75	6.75
05	AW1253V-05P	5.00	8.00
06	AW1253V-06P	6.25	9.25
07	AW1253V-07P	7.50	10.50
08	AW1253V-08P	8.75	11.75
09	AW1253V-09P	10.00	13.00
10	AW1253V-10P	11.25	14.25
11	AW1253V-11P	12.50	15.50
12	AW1253V-12P	13.75	16.75
13	AW1253V-13P	15.00	18.00
14	AW1253V-14P	16.25	19.25
15	AW1253V-15P	17.50	20.50

## 1.25mm Pitch 90° wafer connector

### WAFER

- Part NO:AW1253R-xP
- Material:Pin:Brass/Tin over Nickel
- Insulator:Nylon 66, UL94V-0
- Mates with:AH1253 series Housing
- Color: Reddish brown



Ordering Information & Dimensions:

Poles	Part No.	Dimensions(mm)	
		A	B
02	AW1253R-02P	1.25	4.25
03	AW1253R-03P	2.50	5.50
04	AW1253R-04P	3.75	6.75
05	AW1253R-05P	5.00	8.00
06	AW1253R-06P	6.25	9.25
07	AW1253R-07P	7.50	10.50
08	AW1253R-08P	8.75	11.75
09	AW1253R-09P	10.00	13.00
10	AW1253R-10P	11.25	14.25
11	AW1253R-11P	12.50	15.50
12	AW1253R-12P	13.75	16.75
13	AW1253R-13P	15.00	18.00
14	AW1253R-14P	16.25	19.25
15	AW1253R-15P	17.50	20.50