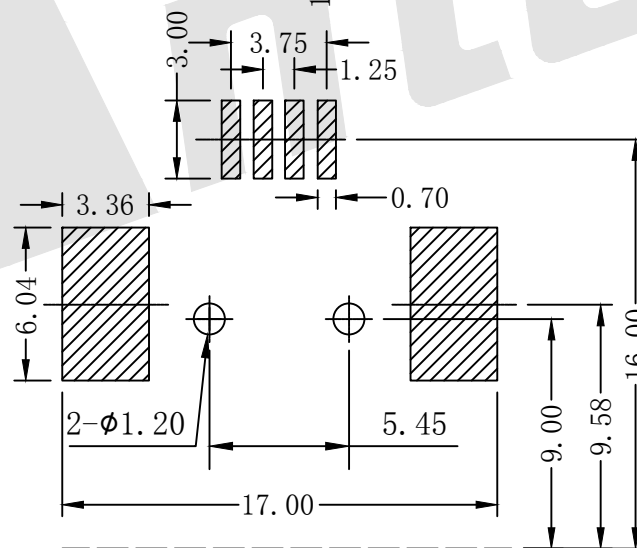
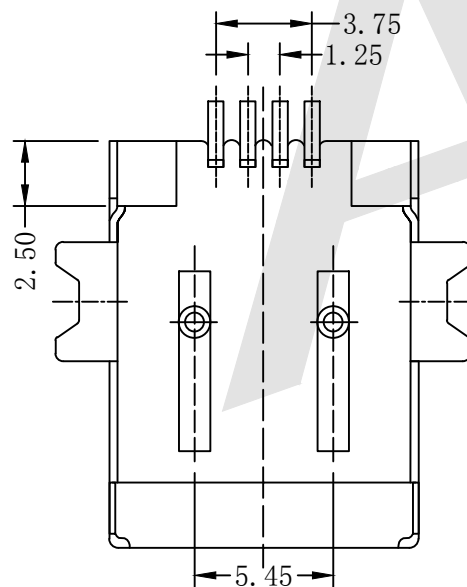
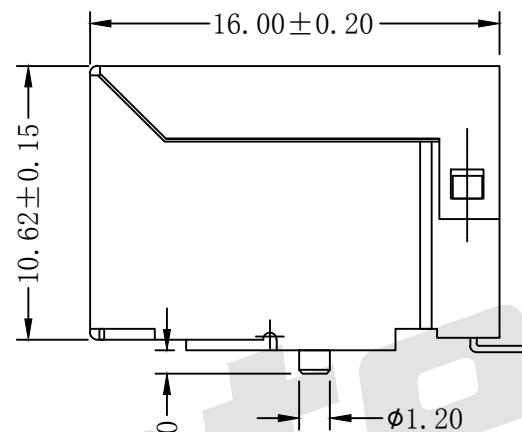
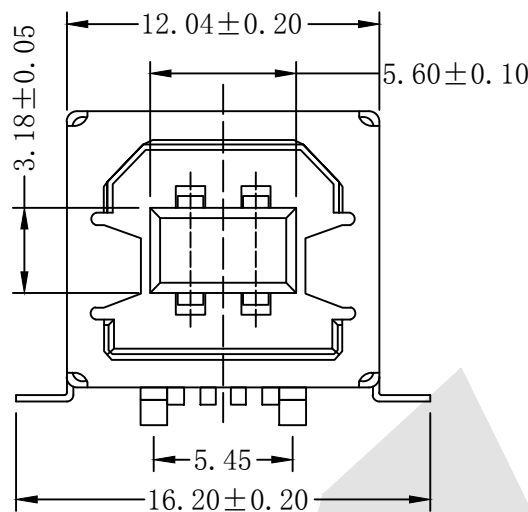


HSF



Specifications:

Current Rating: 1.5A Max
 Contact Resistance: 30 milliohms MAX
 Dielectric Withstanding Voltage:
 500V AC AT Sea Level

Insulation Resistance: 1000 Megohms MIN
 Housing:
 Temperature Thermoplastics, PBT UL 94V-0

Contact:
 Copper Alloy T=0.25mm Plated Gold in Mating Area;
 Tin On Solder Talls
 Shell: Iron T=0.30mm Nickel/Plating

Ordering Code:

UBFM01 - $\frac{X}{1}$ - $\frac{X}{2}$ - $\frac{X}{3}$ - $\frac{X}{4}$ - $\frac{X}{5}$ - $\frac{X}{6}$ - $\frac{X}{7}$

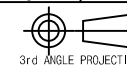
- ① Series No: USB B Type Receptacle 4P SMT
- ② Shell Material:
 B: Brass
 I: Iron
 S: stainless steel
- ③ Insulator Material:
 P: PBT+30%GF
 L: LCP
 E: PA9T
- ④ Contact Material:
 B: Brass
 P: phosphor copper
- ⑤ Contact Plating
 G0: Gold flash
 G1: 3u" Gold
 G2: 5u" Gold
 G3: 10u" Gold
 G4: 15u" Gold
 G5: 30u" Gold
- ⑥ Color Insulator
 A: White
 B: Black
- ⑦ Packing
 A: Tray B: Bag
 C: Tube D: Tape Reel

Unless Otherwise specified tolerance
 X.±0.35 X.XX:±0.20
 X.X:±0.25 X.XXX:±0.15

Antenk® ANTENK ELECTRONICS CO.,LTD
 Http://www.antenk.com
 E-mail:sales@antenk.com

SCALE: As Shown UNIT: mm
 DRAW Lv Xun Hua DATE 20/06/2019
 CHECK BobYang DATE 20/06/2019

TITLE: USB B Type Receptacle 4P SMT



DRAWING NO: UBFM01-XXXXXX

PRODUCT NO: UBFM01-XXXXXX

REV	DESCRIPTION	DATE