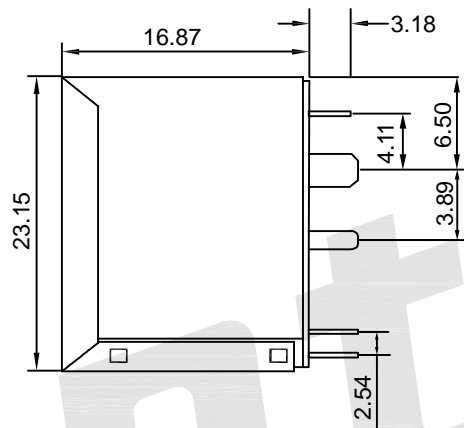
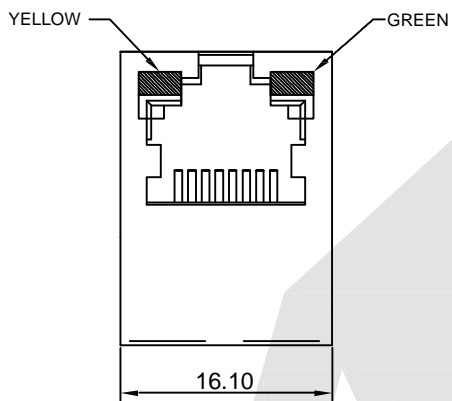


HSF



Order code:

ATRT-5-A-X-X-001
 (1) (2) (3) (4) (5)

(1) Type of product code

5	180 Vertical Top Entry
---	------------------------

(2) Number of contact ports

A	RJ45 1*1
---	----------

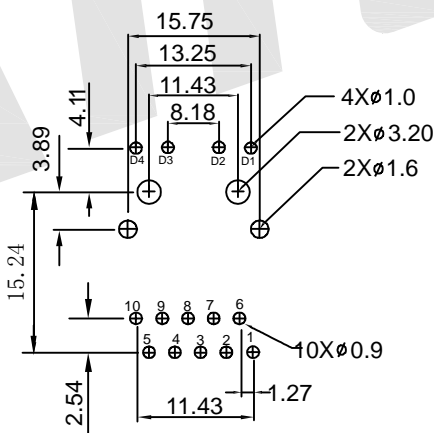
(3) Product dimension definition

A	With LED W/O EMI
G	Without LED without EMI
I	Without LED unshield
J	With LED unshield

(4) Plating product definition

G0	G0ld flash
G1	3U" G0ld
G2	6U" G0ld
G3	10U" G0ld
G4	15U" G0ld
G5	30U" G0ld
SN	Tin

(5) Series number: 001



RECOMMENDED P.C.B LAYOUT

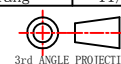
Unless Otherwise specified tolerance
 X. ±0.35 X.XX: ±0.20
 X.X: ±0.25 X.XXX: ±0.15



ANTENK ELECTRONICS CO., LTD
[Http://www.antenk.com](http://www.antenk.com)
 E-mail: sales@antenk.com

SCALE: As Shown UNIT: mm
 DRAW: Robin DATE: 11/11/2015
 CHECK: BobYang DATE: 11/11/2015

TITLE: 1000Base 1x1Port 180 Vertical Top Entry



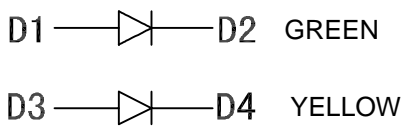
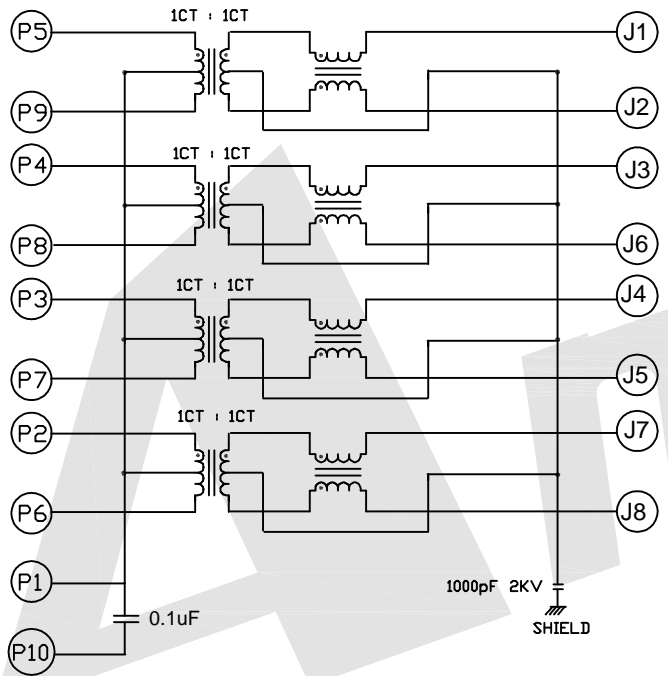
DRAWING NO: ATRT-5-A-XX-001
 PRODUCT NO: ATRT-5-A-XX-001

REV	DESCRIPTION	DATE
1		
2		
3		
4		
5		

HSF



ELECTRICAL SPECIFICATIONS



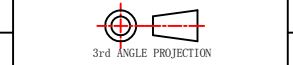
- 1. Turn Ratio(+/-2%):
TX=1CT:1CT RX=1CT:1CT
- 2. Inductance OCL:
350uH Min @100KHz/0.1V,8mA DC Bias
- 3. Insertion Loss:
-1.0dB Max @1.0-100MHz
- 4. Return Loss:
-20dB Min @1-10MHz
-16dB Min @10-30MHz
-12dB Min @30-60MHz
-10dB Min @60-100MHz
- 5. Cross talk:
-40dB Min @1-30MHz
-35dB Min @30-60MHz
-30dB Min @60-100MHz
- 6. Common Mode Rejection:
-30dB Min @1-50MHz
-20dB Min @50-150MHz
- 7. HIPOT TEST:1500V AC 1mA 6S
- 8. OPERATING TEMPERATURE RANGE:0-70°C

Unless Otherwise specified tolerance
 X. ±0.35 X.XX: ±0.20
 X.X: ±0.25 X.XXX: ±0.15

Antenk ANTENK ELECTRONICS CO., LTD
[Http://www.antenk.com](http://www.antenk.com)
 E-mail:sales@antenk.com

SCALE: As Shown UNIT: mm
 DRAW Robin DATE 11/11/2015
 CHECK BobYang DATE 11/11/2015

TITLE: 1000Base 1x1Port 180 Vertical Top Entry



DRAWING NO: ATRT-5-A-XX-001
 PRODUCT NO: ATRT-5-A-XX-001

REV	DESCRIPTION	DATE