

SPECIFICATIONS:

- Voltage rating: 250V AC/DC
- Current rating: 3A AC/DC
- Withstanding Voltage: 800V AC/minute
- Insulation resistance: 1000MΩ Min.
- Temperature range: -25°C To +85°C
- Contact resistance: 20mΩ Max.

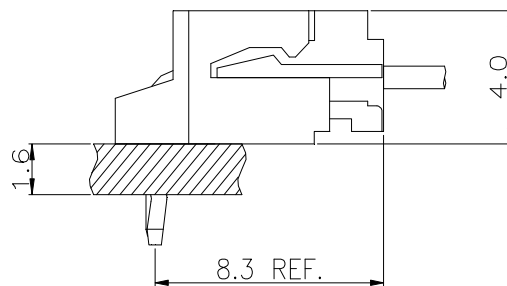
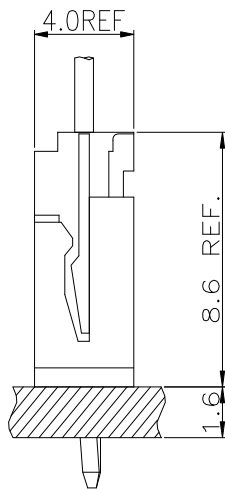
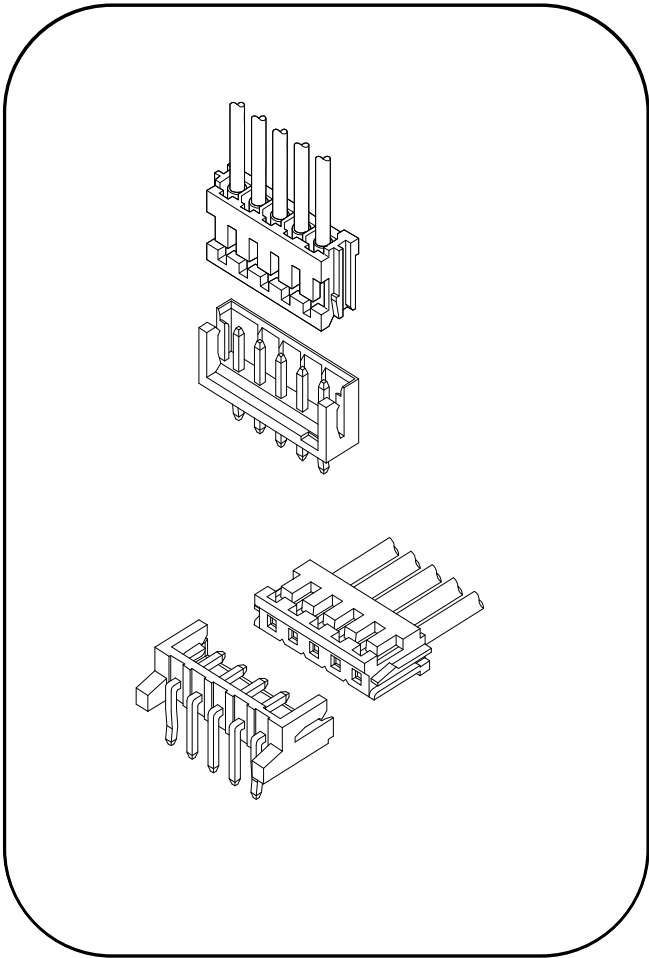
Standards

HSF



RoHS

Wire to Board

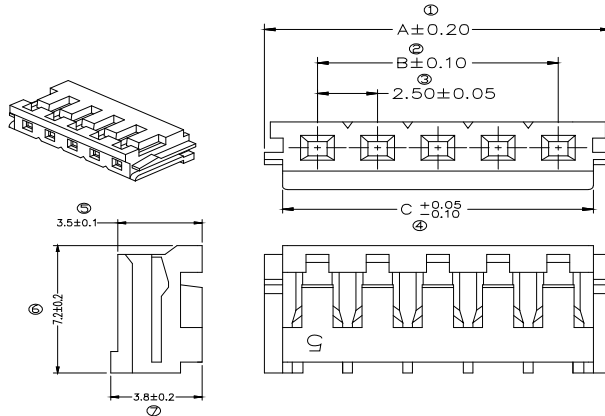


DIP TYPE

2.50mm Pitch housing connector

HOUSING

- Part NO.:AH2502-xP
- Suitable:AT2502T series Terminal
- Mates with:AW2545 series Wafer
- Material:PA66,UL94V-0
- Color:White



Ordering Information & Dimensions

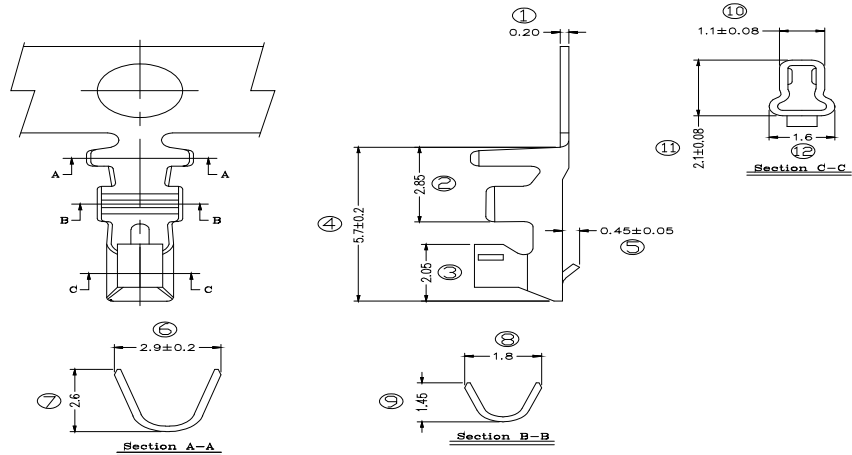
No. of Contacts	DIMENSIONS		
	DIM A	DIM B	DIM C
02	7.00	2.50	5.40
03	9.50	5.00	7.90
04	12.00	7.50	10.40
05	14.50	10.00	12.90
06	17.00	12.50	15.40
07	19.50	15.00	17.90
08	22.00	17.50	20.40
09	24.50	20.00	22.90
10	27.00	22.50	25.40
11	29.50	25.00	27.90
12	32.00	27.50	30.40
13	34.50	30.00	32.90
14	37.00	32.50	35.40
15	39.50	35.00	37.90

Unit:

2.50mm Pitch crimp terminal connector

TERMINAL

- Part NO.:AT2502T-xP
- Applicable wire:AWG#22-#28
- Material:Phosphor Bronze
- Finish:Tin Plated or Gold
- Used in AH2545 series Housing

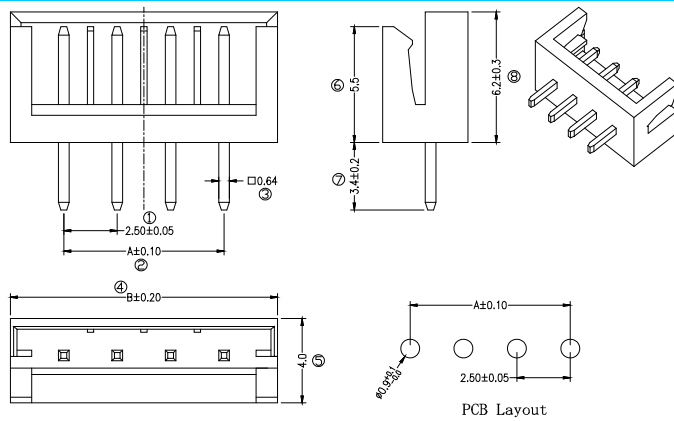


Wire to Board

2.50mm Pitch 180° wafer connector

WAFER

- Part NO.:AW2502V-xP
- Material:Pin:Brass/Tin over Nickel
Insulator:PA66,UL94V-0
- Mates with:AH2545 series Housing
- Color:White



Ordering Information & Dimensions

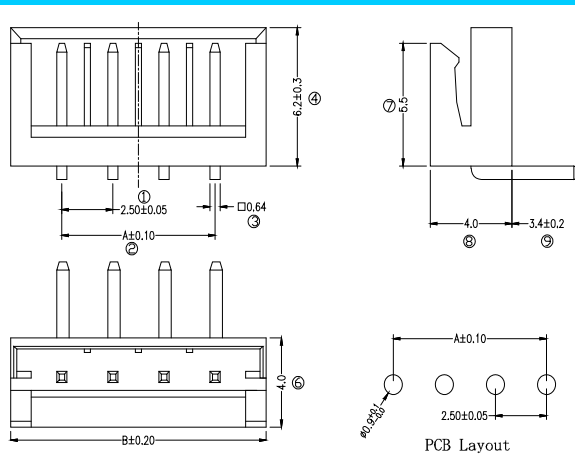
PART NO.	Dimensions	
	A	B
AW2502V-2P	2.50	7.50
AW2502V-3P	5.00	10.00
AW2502V-4P	7.50	12.50
AW2502V-5P	10.00	15.00
AW2502V-6P	12.50	17.50
AW2502V-7P	15.00	20.00
AW2502V-8P	17.50	22.50
AW2502V-9P	20.00	25.00
AW2502V-10P	22.50	27.50
AW2502V-11P	25.00	30.00
AW2502V-12P	27.50	32.50
AW2502V-13P	30.00	35.00
AW2502V-14P	32.50	37.50
AW2502V-15P	35.00	40.00

Unit: mm

2.50mm Pitch 90° wafer connector

WAFER

- Part NO.:AW2502R-xP
- Material:Pin:Brass/Tin over Nickel
Insulator:PA66,UL94V-0
- Mates with:AW2545 series Housing
- Color:White



Ordering Information & Dimensions

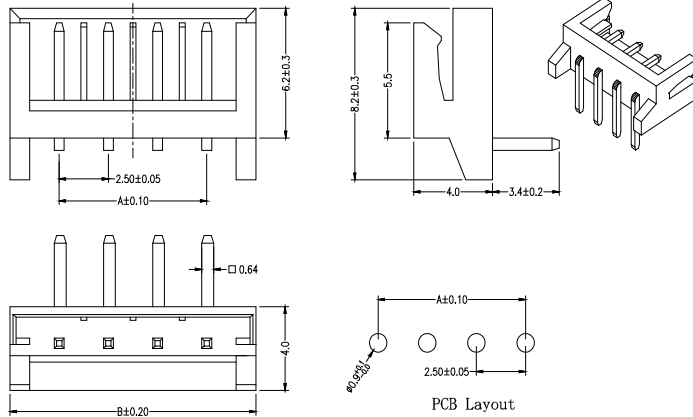
PART NO.	Dimensions	
	A	B
AW2502R-2P	2.50	7.50
AW2502R-3P	5.00	10.00
AW2502R-4P	7.50	12.50
AW2502R-5P	10.00	15.00
AW2502R-6P	12.50	17.50
AW2502R-7P	15.00	20.00
AW2502R-8P	17.50	22.50
AW2502R-9P	20.00	25.00
AW2502R-10P	22.50	27.50
AW2502R-11P	25.00	30.00
AW2502R-12P	27.50	32.50
AW2502R-13P	30.00	35.00
AW2502R-14P	32.50	37.50
AW2502R-15P	35.00	40.00

Unit: mm

2.50mm Pitch 90° wafer connector

HOUSING

- Part NO.:AW2502RB-xP
- Suitable:AT2502T series Terminal
- Mates with:AW2502 series Wafer
- Material:PA66,UL94V-0
- Color:White



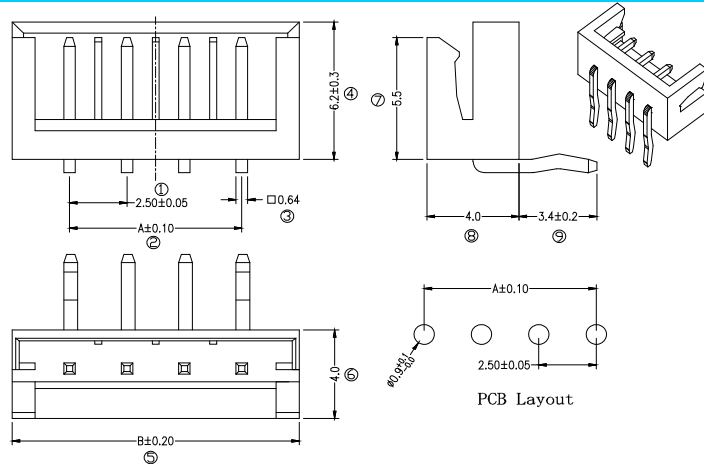
Ordering Information & Dimensions

PART NO.	Dimensions	
	A	B
AW2502RB-2P	2.50	7.80
AW2502RB-3P	5.00	10.00
AW2502RB-4P	7.50	12.50
AW2502RB-5P	10.00	15.00
AW2502RB-6P	12.50	17.50
AW2502RB-7P	15.00	20.00
AW2502RB-8P	17.50	22.50
AW2502RB-9P	20.00	25.00
AW2502RB-10P	22.50	27.50
AW2502RB-11P	25.00	30.00
AW2502RB-12P	27.50	32.50
AW2502RB-13P	30.00	35.00
AW2502RB-14P	32.50	37.50
AW2502RB-15P	35.00	40.00

Unit: mm

2.50mm Pitch 90° wafer connector

- Part NO.:AW2502VR-xP
- Suitable:AT2502T series Terminal
- Mates with:AW2502 series Wafer
- Material:PA66,UL94V-0
- Color:White



Ordering Information & Dimensions

PART NO.	Dimensions	
	A	B
AW2502VR-2P	2.50	7.50
AW2502VR-3P	5.00	10.00
AW2502VR-4P	7.50	12.50
AW2502VR-5P	10.00	15.00
AW2502VR-6P	12.50	17.50
AW2502VR-7P	15.00	20.00
AW2502VR-8P	17.50	22.50
AW2502VR-9P	20.00	25.00
AW2502VR-10P	22.50	27.50
AW2502VR-11P	25.00	30.00
AW2502VR-12P	27.50	32.50
AW2502VR-13P	30.00	35.00
AW2502VR-14P	32.50	37.50
AW2502VR-15P	35.00	40.00

Unit: mm