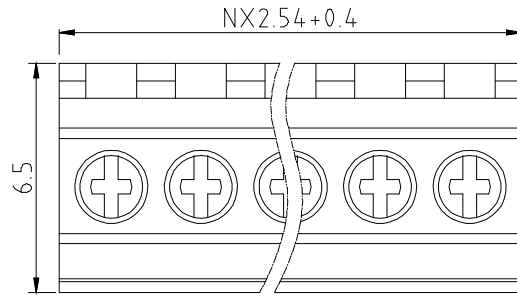
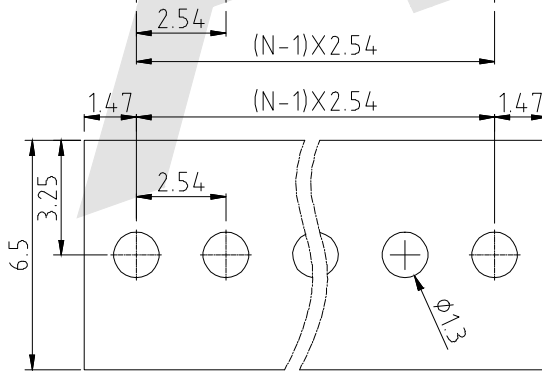
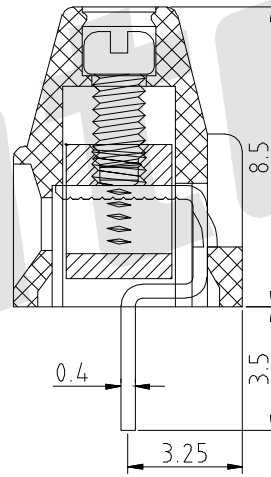
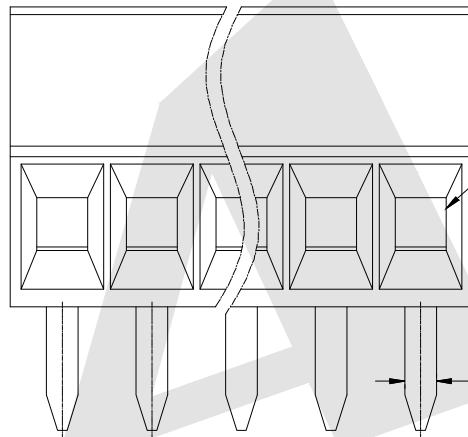


HSF



N=Number of contacts



P.C.B, LAYOUT

SPECIFICATION

Voltage Rating (额定电压): 150V

Current Rating (额定电流): 6A

Contact Resistance: 20mΩ

Withstanding Voltage: 2000VAC(1min)/1pcs

Wire range (使用线径): 18-30AWG

Housing (塑件): PA66+23%GF, UL94V-0

Terminal (端子):

Brass, Tin-Plated (黄铜, 镀锡)

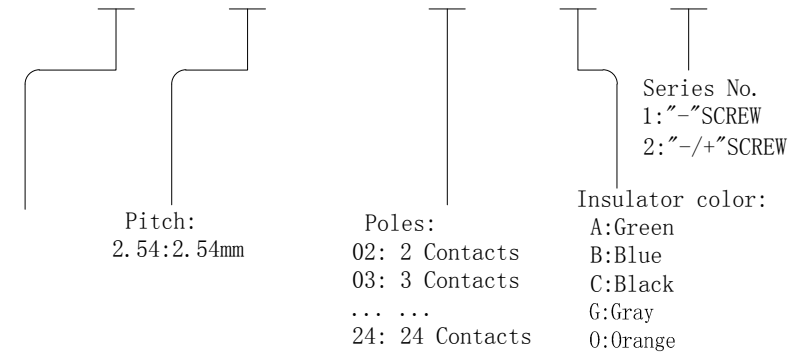
Screw (螺丝):

Steel, M3.0 Ni-Plated (钢, 镀镍)

Torque (扭力): 0.5N.m

Ordering Code:

AT129V - 2.54 - XX - X - X



Unless Otherwise specified tolerance  
X. ±0.35 X.XX: ±0.20  
X.X: ±0.25 X.XXX: ±0.15

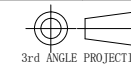
**Antenk**® ANTENK ELECTRONICS CO., LTD  
Http://www.antenk.com  
E-mail: sales@antenk.com

|                      |                    |
|----------------------|--------------------|
| SCALE:<br>As Shown   | UNIT:<br>mm        |
| DRAW<br>Wu Feng Rong | DATE<br>22/02/2020 |
| CHECK<br>BobYang     | DATE<br>22/03/2018 |

TITLE:  
PCB Screw Terminal Block Pitch: 2.54

DRAWING NO: AT129V-2.54XXXX

PRODUCT NO: AT129V-2.54XXXX



| REV | DESCRIPTION | DATE |
|-----|-------------|------|
| 1   |             |      |
| 2   |             |      |
| 3   |             |      |