

SPECIFICATIONS:

- Voltage rating: 250V AC/DC
- Current rating: 3A AC/DC
- Withstanding Voltage: 650V AC/minute
- Insulation resistance: 1000MΩ Min.
- Temperature range: -55°C To +105°C
- Contact resistance: 30mΩ Max.

Standards

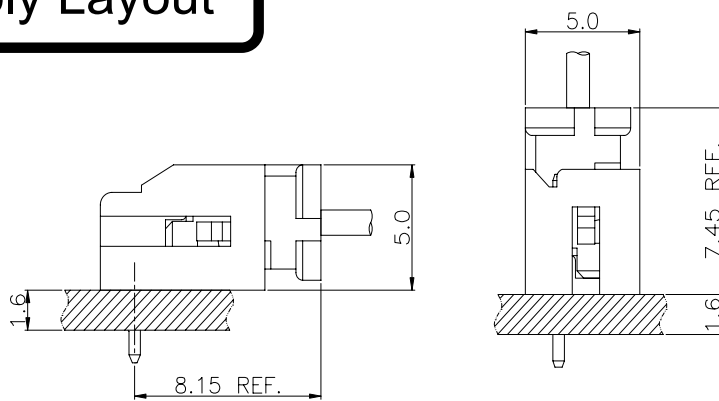
HSF



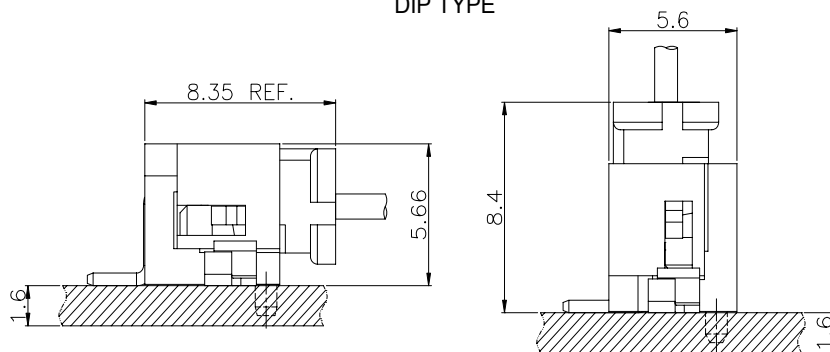
RoHS

Wire to Board

Assembly Layout



DIP TYPE



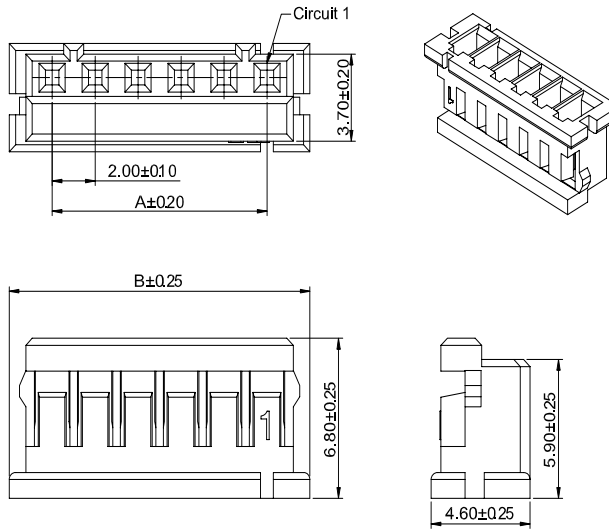
SMT TYPE

Connectors Expert Around You

2.00mm Pitch housing connector

HOUSING

- Part NO.:AH2011-NP
- Poles:02-15P
- Suitable:AT2011T series Terminal
- Mates with:AW2011 series Wafer
- Material:Nylon 66,UL94v-0
- Color:Black



Ordering Information & Dimensions:

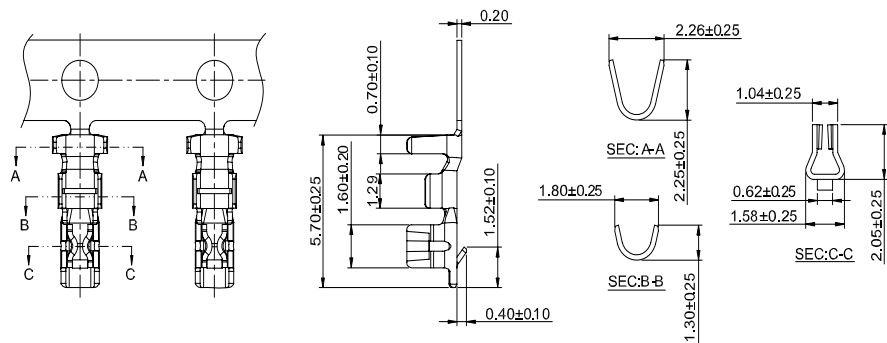
Poles	Part No.	Dimensions (mm)	
		A	B
2	AH2011-02P	2.00	6.00
3	AH2011-03P	4.00	8.00
4	AH2011-04P	6.00	10.00
5	AH2011-05P	8.00	12.00
6	AH2011-06P	10.00	14.00
7	AH2011-07P	12.00	16.00
8	AH2011-08P	14.00	18.00
9	AH2011-09P	16.00	20.00
10	AH2011-10P	18.00	22.00
11	AH2011-11P	20.00	24.00
12	AH2011-12P	22.00	26.00
13	AH2011-13P	24.00	28.00
14	AH2011-14P	26.00	30.00
15	AH2011-15P	28.00	32.00

Wire to Board

2.00mm Pitch crimp terminal connector

TERMINAL

- Part NO.:AT2011T-XP
- Applicable wire:AWG#22-#28
- Material:Phosphor Bronze
- Finish:Tin Plated or Gold
- Used in AH2011 series Housing



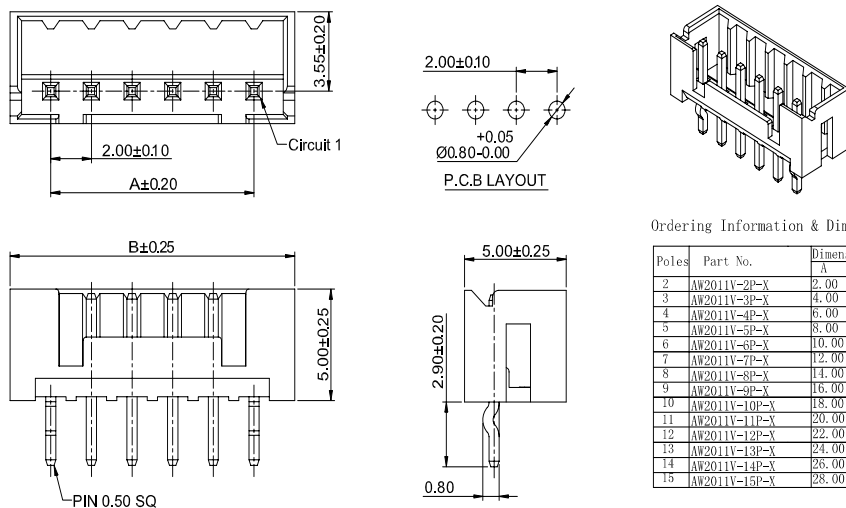
Ordering information & Specifications:

Part NO	Wire Range	Insulation O.D.	Material	Finish	Qty/reel
AT2011T-TP	AWG#22-#28	1.45mm(max)	Phosphor Bronze	Tin over Nickel	10,000 PCS
AT2011T-GP	AWG#22-#28	1.45mm(max)	Phosphor Bronze	Gold over Nickel	10,000 PCS

2.00mm Pitch 180° wafer connector

WAFER

- Part NO.:AW2011V-NP-X
- Material:Pin:Brass/Tin over Nickel
- Insulator:Nylon 66,UL94V-0
- Mates with:AH2011-NP series Housing
- Color:Black



Ordering Information & Dimensions:

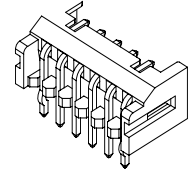
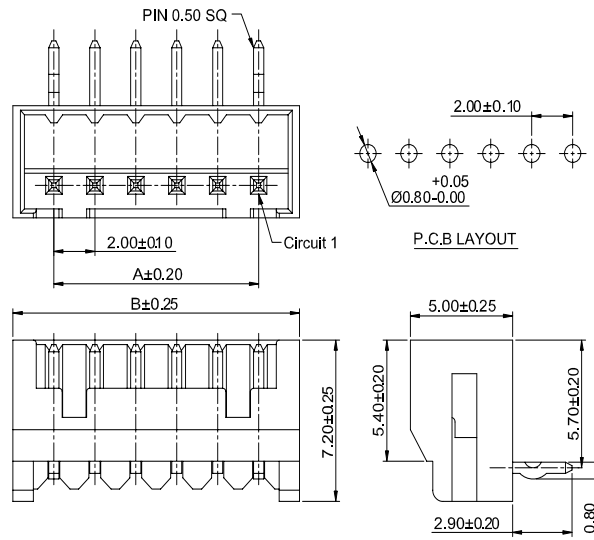
Poles	Part No.	Dimensions (mm)	
		A	B
2	AW2011V-2P-X	2.00	6.00
3	AW2011V-3P-X	4.00	8.00
4	AW2011V-4P-X	6.00	10.00
5	AW2011V-5P-X	8.00	12.00
6	AW2011V-6P-X	10.00	14.00
7	AW2011V-7P-X	12.00	16.00
8	AW2011V-8P-X	14.00	18.00
9	AW2011V-9P-X	16.00	20.00
10	AW2011V-10P-X	18.00	22.00
11	AW2011V-11P-X	20.00	24.00
12	AW2011V-12P-X	22.00	26.00
13	AW2011V-13P-X	24.00	28.00
14	AW2011V-14P-X	26.00	30.00
15	AW2011V-15P-X	28.00	32.00

Connectors Expert Around You

2.00mm Pitch 90° wafer connector

WAFER

- Part NO.:AW2011R-NP-X
- Material:Pin:Brass/Tin over Nickel
Insulator:Nylon 66,UL94V-0
- Mates with:AH2011 series Housing
- Color:Black



Ordering Information & Dimensions:

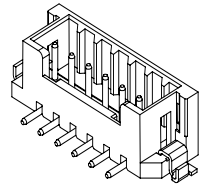
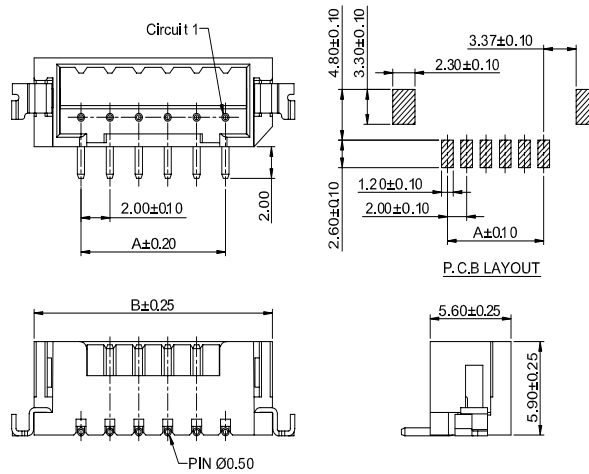
Poles	Part No.	Dimensions (mm)	
		A	B
2	AW2011R-2P-X	2.00	6.00
3	AW2011R-3P-X	4.00	8.00
4	AW2011R-4P-X	6.00	10.00
5	AW2011R-5P-X	8.00	12.00
6	AW2011R-6P-X	10.00	14.00
7	AW2011R-7P-X	12.00	16.00
8	AW2011R-8P-X	14.00	18.00
9	AW2011R-9P-X	16.00	20.00
10	AW2011R-10P-X	18.00	22.00
11	AW2011R-11P-X	20.00	24.00
12	AW2011R-12P-X	22.00	26.00
13	AW2011R-13P-X	24.00	28.00
14	AW2011R-14P-X	26.00	30.00
15	AW2011R-15P-X	28.00	32.00

Wire to Board

2.00mm Pitch 180° wafer smt connector

WAFER

- Part NO.:AW2011V-S-NP-X
- Material:Pin:Brass/Tin over Nickel
Insulator:Nylon 6T,UL94V-0
- Mates with:AH2011 series Housing
- Color:Ivory



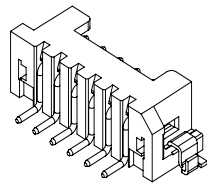
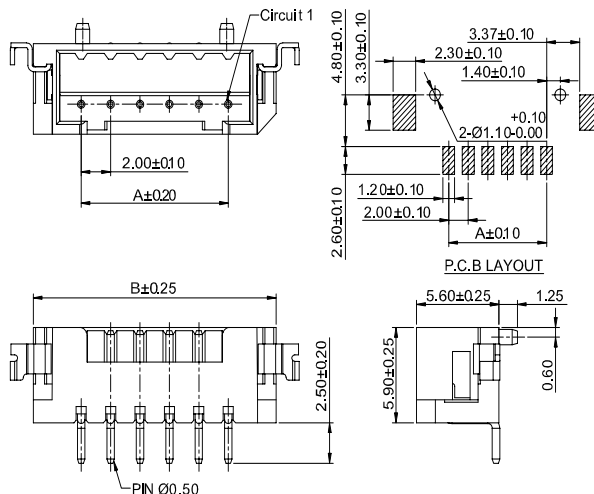
Ordering Information & Dimensions:

Poles	Part No.	Dimensions (mm)	
		A	B
2	AW2011V-S-2P-X	2.00	8.50
3	AW2011V-S-3P-X	4.00	10.50
4	AW2011V-S-4P-X	6.00	12.50
5	AW2011V-S-5P-X	8.00	14.50
6	AW2011V-S-6P-X	10.00	16.50
7	AW2011V-S-7P-X	12.00	18.50
8	AW2011V-S-8P-X	14.00	20.50
9	AW2011V-S-9P-X	16.00	22.50
10	AW2011V-S-10P-X	18.00	24.50
11	AW2011V-S-11P-X	20.00	26.50
12	AW2011V-S-12P-X	22.00	28.50
13	AW2011V-S-13P-X	24.00	30.50
14	AW2011V-S-14P-X	26.00	32.50
15	AW2011V-S-15P-X	28.00	34.50

2.00mm Pitch 90° wafer boss- smt connector

WAFER

- Part NO.:AW2011R-S-F-NP-X
- Material:Pin:Brass/Tin over Nickel
Insulator:Nylon 6T,UL94V-0
- Mates with:AH2011 series Housing
- Color:Ivory



Ordering Information & Dimensions:

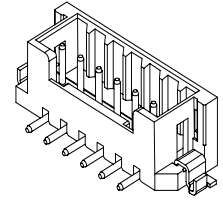
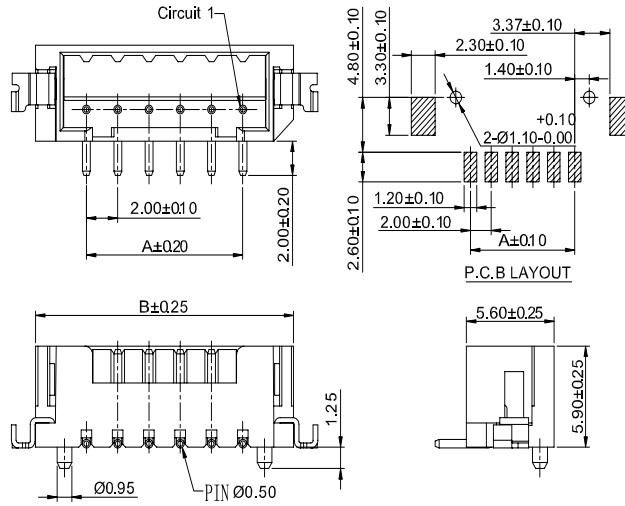
Poles	Part No.	Dimensions (mm)	
		A	B
2	AW2011R-S-F-2P-X	2.00	8.50
3	AW2011R-S-F-3P-X	4.00	10.50
4	AW2011R-S-F-4P-X	6.00	12.50
5	AW2011R-S-F-5P-X	8.00	14.50
6	AW2011R-S-F-6P-X	10.00	16.50
7	AW2011R-S-F-7P-X	12.00	18.50
8	AW2011R-S-F-8P-X	14.00	20.50
9	AW2011R-S-F-9P-X	16.00	22.50
10	AW2011R-S-F-10P-X	18.00	24.50
11	AW2011R-S-F-11P-X	20.00	26.50
12	AW2011R-S-F-12P-X	22.00	28.50
13	AW2011R-S-F-13P-X	24.00	30.50
14	AW2011R-S-F-14P-X	26.00	32.50
15	AW2011R-S-F-15P-X	28.00	34.50

Connectors Expert Around You

2.00mm Pitch 180° wafer boss- smt connector

WAFER

- Part NO.:AW2011V-S-F-NP-X
- Material:Pin:Brass/Tin over Nickel
- Insulator:Nylon 6T,UL94V-0
- Mates with:AH2011 series Housing
- Color:Ivory



Ordering Information & Dimensions:

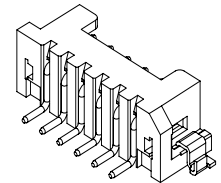
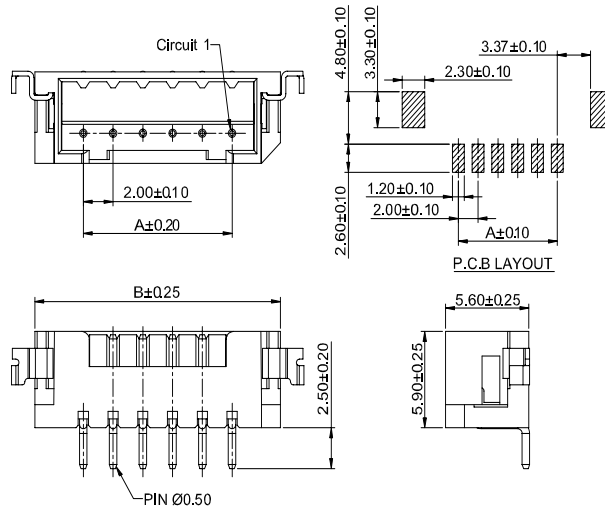
Poles	Part No.	Dimensions(mm)	
		A	B
2	AW2011V-S-F-2P-X	2.00	8.50
3	AW2011V-S-F-3P-X	4.00	10.50
4	AW2011V-S-F-4P-X	6.00	12.50
5	AW2011V-S-F-5P-X	8.00	14.50
6	AW2011V-S-F-6P-X	10.00	16.50
7	AW2011V-S-F-7P-X	12.00	18.50
8	AW2011V-S-F-8P-X	14.00	20.50
9	AW2011V-S-F-9P-X	16.00	22.50
10	AW2011V-S-F-10P-X	18.00	24.50
11	AW2011V-S-F-11P-X	20.00	26.50
12	AW2011V-S-F-12P-X	22.00	28.50
13	AW2011V-S-F-13P-X	24.00	30.50
14	AW2011V-S-F-14P-X	26.00	32.50
15	AW2011V-S-F-15P-X	28.00	34.50

Wire to Board

2.00mm Pitch 90° wafer smt connector

WAFER

- Part NO.:AW2011R-S-NP-X
- Material:Pin:Brass/Tin over Nickel
- Insulator:Nylon 6T,UL94V-0
- Mates with:AH2011 series Housing
- Color:Ivory



Ordering Information & Dimensions:

Poles	Part No.	Dimensions(mm)	
		A	B
2	AW2011R-S-2P-X	2.00	8.50
3	AW2011R-S-3P-X	4.00	10.50
4	AW2011R-S-4P-X	6.00	12.50
5	AW2011R-S-5P-X	8.00	14.50
6	AW2011R-S-6P-X	10.00	16.50
7	AW2011R-S-7P-X	12.00	18.50
8	AW2011R-S-8P-X	14.00	20.50
9	AW2011R-S-9P-X	16.00	22.50
10	AW2011R-S-10P-X	18.00	24.50
11	AW2011R-S-11P-X	20.00	26.50
12	AW2011R-S-12P-X	22.00	28.50
13	AW2011R-S-13P-X	24.00	30.50
14	AW2011R-S-14P-X	26.00	32.50
15	AW2011R-S-15P-X	28.00	34.50