

HSF



ROHS

**ELECTRICAL:**

Contact Current Rating:5AMP Max  
insulation Resistance:5000 Megohms  
Minimum at DC 500V.  
Dielectric Withstanding Voitage:AC 1000V  
r. m. s.  
Impedance Date:75Ω

**MATERIALS:**

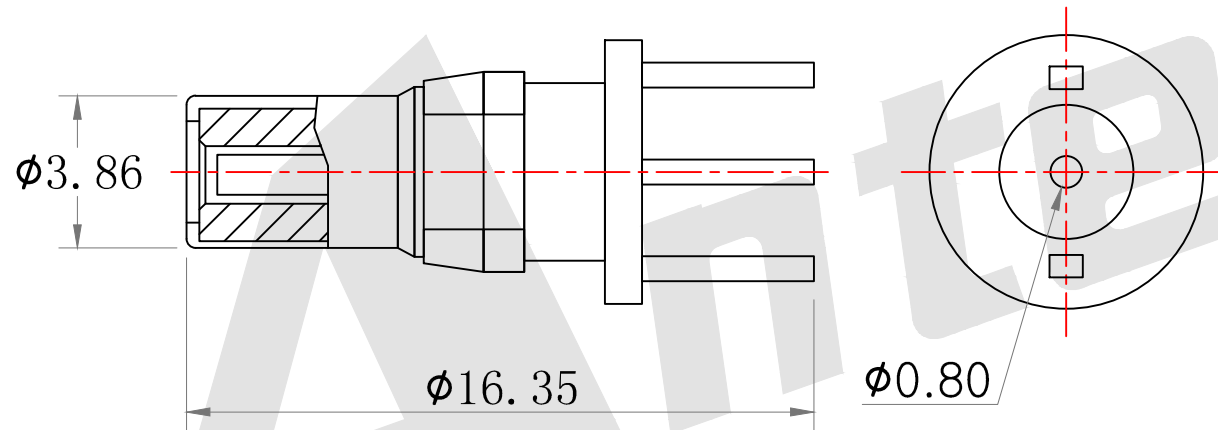
Shell:Brass.  
Housing:Teflon.  
Ordering Code:

CP11M - 12 - X  
① ②

①Series

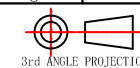
②Contact Plating:

G0: Gold flash G1: 3u" Gold  
G2: 5u" Gold G3: 10u" Gold  
G4: 15u" Gold G5: 30u" Gold



Unless Otherwise specified tolerance  
X. ±0.35 X.XX: ±0.20  
X.X: ±0.25 X.XXX: ±0.15

SCALE: As Shown UNIT: mm  
DRAW Lv Xun Hua DATE 29/04/2019  
CHECK BobYang DATE 29/04/2019



**Antenk**® ANTENK ELECTRONICS CO., LTD  
Http://www.antenk.com  
E-mail:sales@antenk.com

TITLE:  
POWER PIN STRAIGHT MALE CONTACT 75Ω  
(work in coaxial)

DRAWING NO: CP11M-12X

PRODUCT NO: CP11M-12X

REV	DESCRIPTION	DATE