

HSF



ROHS

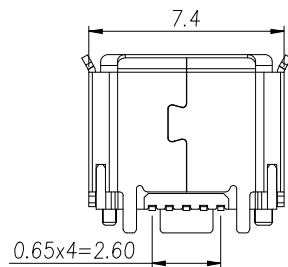
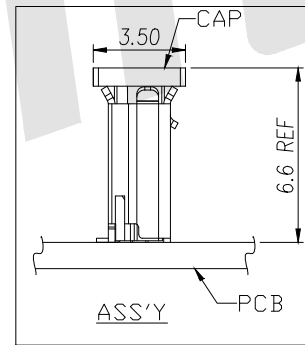
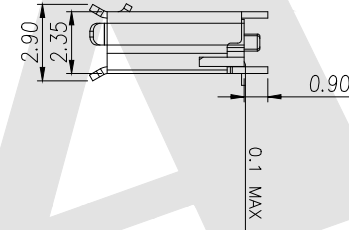
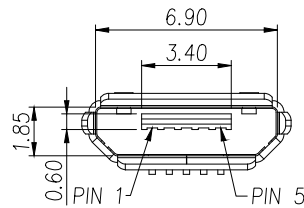
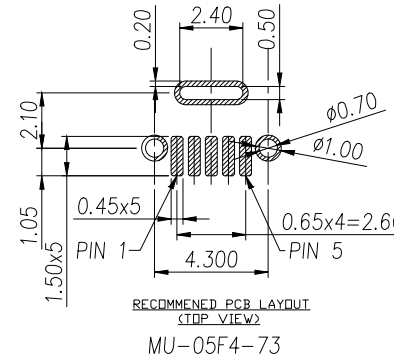
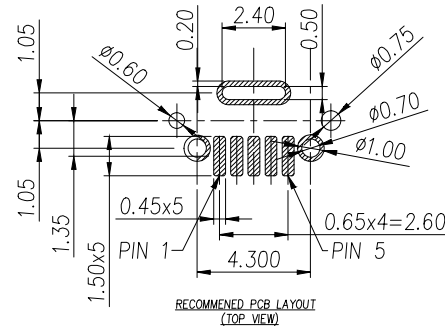
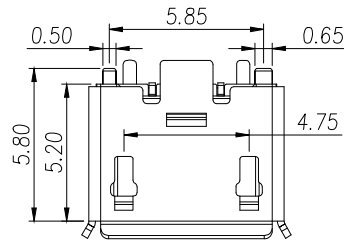
SPECIFICATIONS:

1. Electrical Characteristics:
  - 1.1 Current Rating:1A
  - 1.2 Dielectric Withstanding Voltage:250V DC
  - 1.3 Contact Resistance:50mΩ Max
  - 1.4 Insulation Resistance:100MΩ Min 250V DC
2. Material And Plating:
  - 2.1 Housing:LCP UL94V-0
  - 2.2 Contact:C2680R-H, 50u" Nickel Underplating Over All, 1u" Gold Plated On Contact Area
  - 2.3 Shell:SUS, 80u" Nickel Plated
3. Mechanical Characteristics:
  - 3.1 PIN Strength Back:0.5kgf Min
  - 3.2 Wetting property:Tempreture235±5° C, Time5±0.5s
  - 3.3 Total Mating Force:3.57kgf Max
  - 3.4 Total Unmating Force:1.00kgf Min
  - 3.5 Durability:5000 Cycles
  - 3.6 Temperature Resistance:250±5° C, Two Minutes
  - 3.7 Operating Tempreture:-30° C +80° C

Order code:

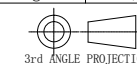
MUFM44 - X - X - X - X - X  
 ① ② ③ ④ ⑤ ⑥

- |                       |                   |
|-----------------------|-------------------|
| ① Series N0:          | ⑤ Contact Plating |
| ② Shell Material:     | G0:Gold flash     |
| B:Brass I:Iron        | G1: 3U" Gold      |
| S:stainless steel     | G2: 5U" Gold      |
| ③ Insulator Material: | G3:10U" Gold      |
| P:PBT+30%GF           | G4:15U" Gold      |
| L:LCP                 | G5:30U" Gold      |
| ④ Contact Material:   | ⑥ Packing         |
| B:Brass               | A:Tray            |
| P:phosphor copper     | B:Bag             |
|                       | C:Tube            |
|                       | D:Tape & Reel+Cap |



Unless Otherwise specified tolerance  
 X. ±0.35 X.XX: ±0.20  
 X.X: ±0.25 X.XXX: ±0.15

SCALE: As Shown UNIT: mm  
 DRAW Lv Xun Hua DATE 03/06/2019  
 CHECK BobYang DATE 03/06/2019



Antenk® ANTENK ELECTRONICS CO.,LTD  
 Http://www.antenk.com  
 E-mail:sales@antenk.com

TITLE: Micro USB 5P Receptacle B Type Vertical SMT  
 With or without Locating Pegs

DRAWING NO: MUFM44-XXXXX  
 PRODUCT NO: MUFM44-XXXXX

REV	DESCRIPTION	DATE
1		
2		
3		
4		
5		