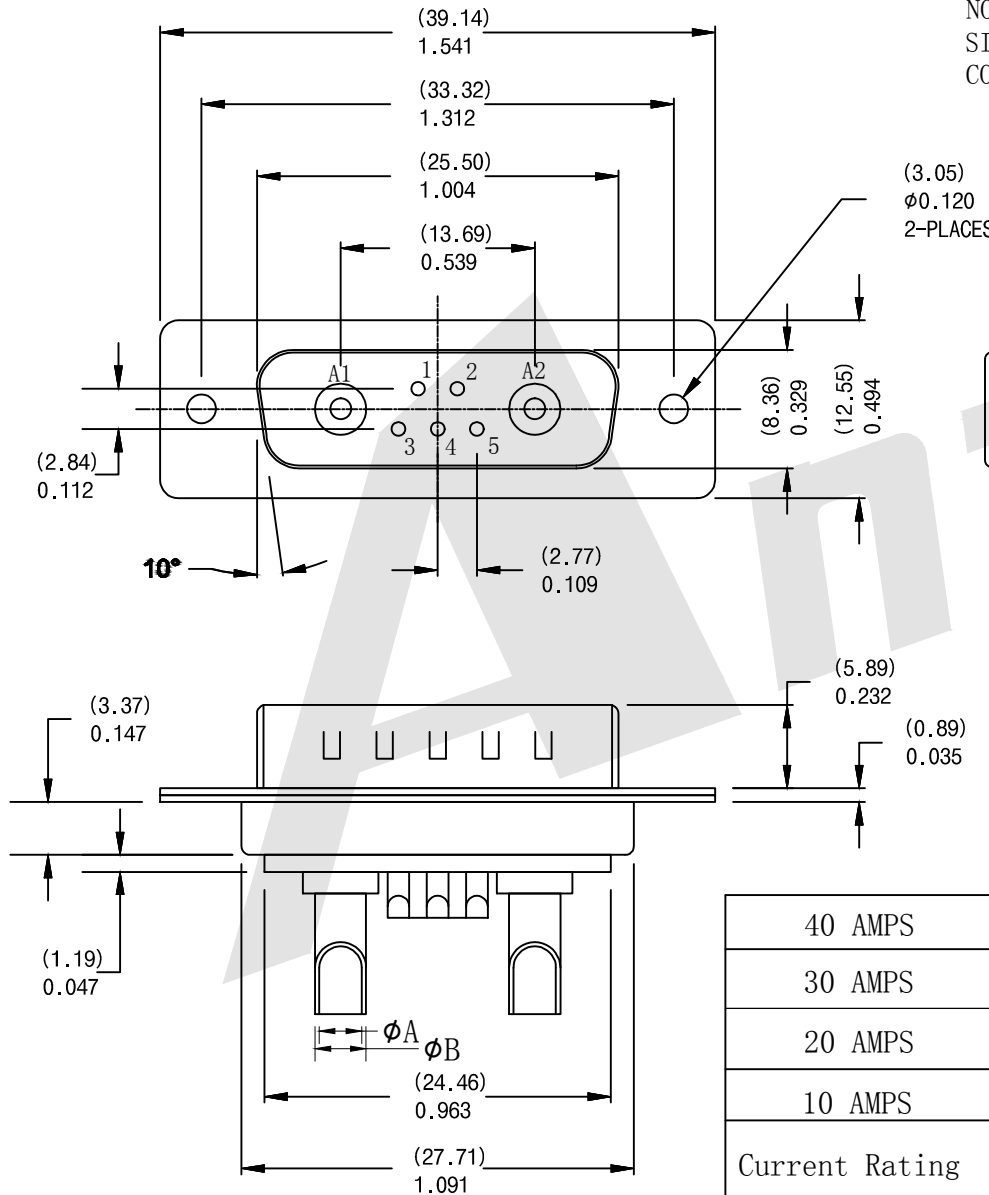


HSF



NOTE:
SIGNAL AND POWER CONTACTS
COME PRE-LOADED INTO INSULATORS

SPECIFICATIONS:

ELECTRICAL:

- INSULATOR RESISTANCE: 5,000 MegOHMS Min.
- DIELECTRIC WITHSTANDING: 1,000 VAC r. m. s.
- OPERATING TEMPERATURE: -55°C ~ +125°C
- CONTACT RESISTANCE: 30 MILLIOHMS Max.
- POWER PINS: SEE PART No. BELOW

MECHANICAL:

- CONTACT INSERTION FORCE: 4.5kg Max
- CONTACT SEPARATOR FORCE: 0.3kg Min

MATERIALS:

- CONTACTS: BRASS
- INSULATOR: PBT UL94V-0 RATED, 230°C PROCESS TEMP.
- SHELL: STEEL
- FINISH: NICKEL

Ordering Code:

PDB7W2	-M	-G0	-B	-20
①	②	③	④	⑤

- ① Series
- ② Contact Type:
M:Male F:Female
- ③ Contact NO. :
G0: Gold flash G1: 3u" Gold
G2: 5u" Gold G3: 10u" Gold
G4: 15u" Gold G5: 30u" Gold
- ④ Insulation Color Code:
B:Black L:Blue
W:White
- ⑤ Power AMP:
10 = 10AMPS; 20 = 20AMPS;
30 = 30AMPS; 40 = 40AMPS;

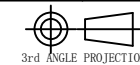
40 AMPS	$\phi 4.6$	$\phi 5.5$
30 AMPS	$\phi 3.4$	$\phi 4.4$
20 AMPS	$\phi 2.6$	$\phi 3.6$
10 AMPS	$\phi 1.75$	$\phi 2.54$
Current Rating	ϕA	ϕB
	Dimension	

Unless Otherwise specified tolerance
X. ± 0.35 X.XX: ± 0.20
X.X: ± 0.25 X.XXX: ± 0.15

Antenk® ANTENK ELECTRONICS CO.,LTD
Http://www.antenk.com
E-mail:sales@antenk.com

SCALE: As Shown	UNIT: mm
DRAW Lv Xun Hua	DATE 25/05/2019
CHECK BobYang	DATE 25/05/2019

TITLE:
POWER D-SUB 7W2 SOLDER CUP-MALE



REV	DESCRIPTION	DATE
1		
2		
3		
4		
5		

DRAWING NO: PDB7W2-MXXX
PRODUCT NO: PDB7W2-MXXX