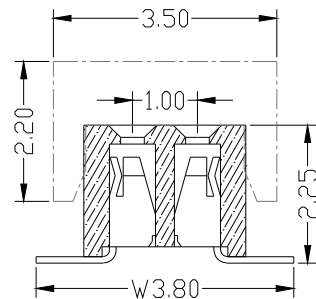
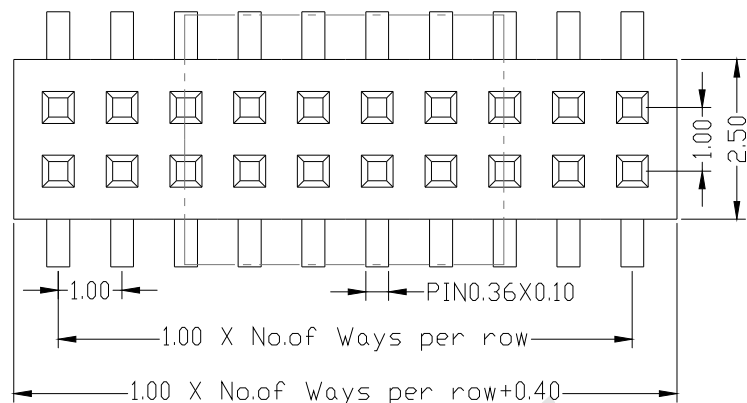


HSF



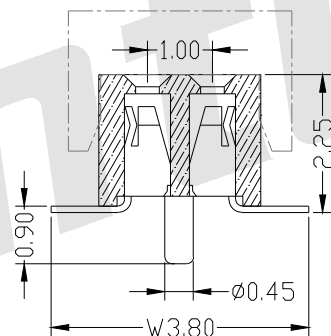
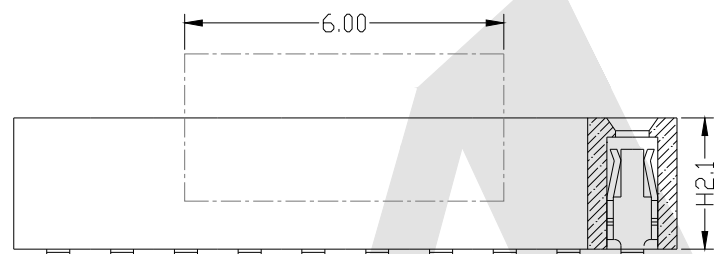
TYPE A

SPECIFICATION

Current Rating: 0.75Amp
 Insulation Resistance: 1000M ohms min
 Contact Resistance: 20M ohms max
 Dielectric Withstanding: AC500V
 Operating Temperature: -65°C to +125°C
 Contact Material: Brass
 Insulator Material: PA6T UL 94V-0 Black

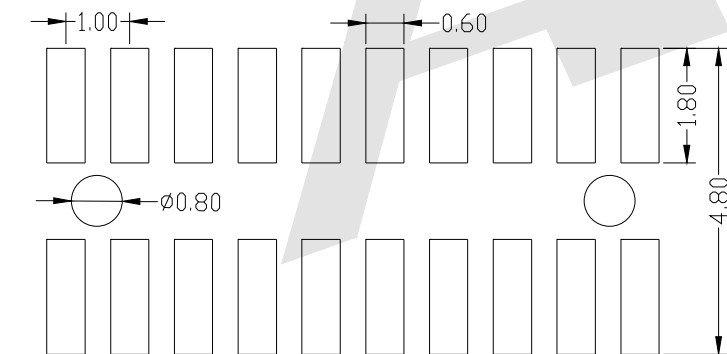
Ordering Code:

FHBM03 - X - X - D - X - X - X - X
 ① ② ③ ④ ⑤ ⑥ ⑦ ⑧



TYPE B

- ① Series No:
- ② No. of Contacts: 02 To 100
- ③ Contact Plating: G0:Gold flash S0:Selective
 G1:3U" Gold S1:Selective 3u"
 G2:5u" Gold S2:Selective 5u"
 G3:10u" Gold S3:Selective 10u"
 G4:15u" Gold S4:Selective 15u"
 G5:30u" Gold S5:Selective 30u"
 SN:Tin
- ④ Connector Type: D: Dual
- ⑤ Plastic High: H:2.1
 Please mark the desired length in the H
- ⑥ Insulator Material: B:PA6T
 C:LCP
 E:PA9T
- ⑦ Packing: A:Tray
 B:Bag
 T:Tube
 U:Tube+CAP
 R:Tape&Reel
 W:Tape&Reel+CAP
- ⑧ With locating pegs option: A:Type A without pegs
 B:Type B with pegs



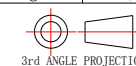
PCB LAYOUT

Unless Otherwise specified tolerance
 X. ±0.35 X.XX: ±0.20
 X.X: ±0.25 X.XXX: ±0.15

Antenk ANTENK ELECTRONICS CO., LTD
 Http://www.antenk.com
 E-mail:sales@antenk.com

SCALE: As Shown UNIT: mm
 DRAW Mo Guo Xuan DATE 01/12/2018
 CHECK BobYang DATE 01/12/2018

TITLE:
 1.00mm Female Header Dual Row SMT Type



DRAWING NO: FHBM03-XXDXXXX

PRODUCT NO: FHBM03-XXDXXXX

REV	DESCRIPTION	DATE
1		
2		
3		
4		
5		