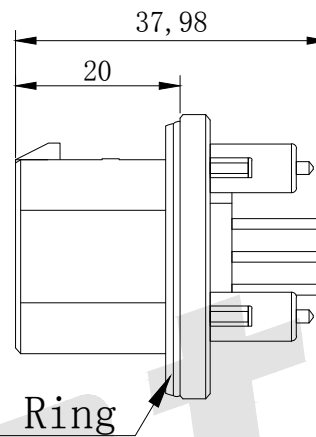
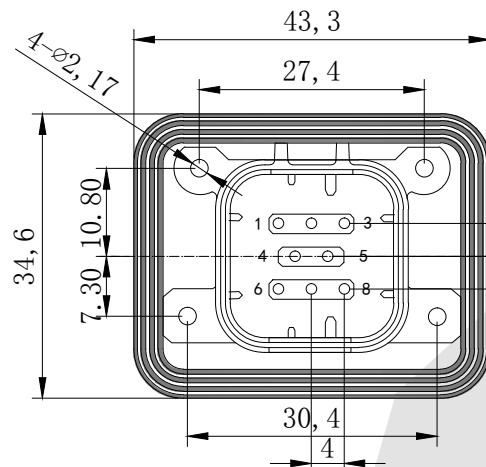


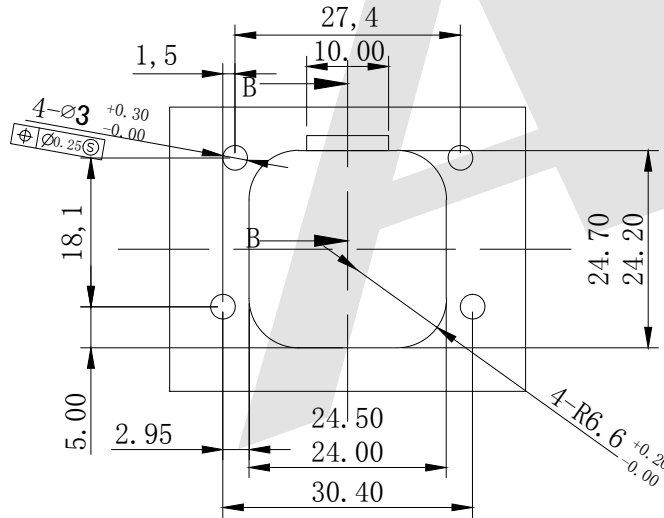


Product Structure Dimension

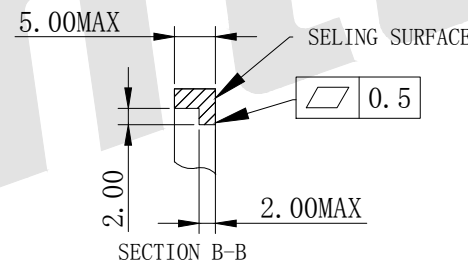


Waterproof Ring

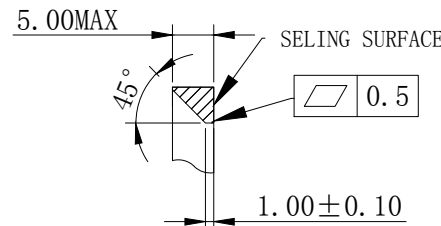
Panel Cutout



RECOMMENDED MOUNTING HOLE LAYOUT FOR 5.0 MAX THICK PANEL



SECTION B-B
OPTIONAL CONSTRUCTION IF PANEL THICKNESS IS GREATER THAN 2.0



SECTION B-B
OPTIONAL CONSTRUCTION IF PANEL THICKNESS IS GREATER THAN 2.0

Specifications:

Material:

- Housing Material: PA66. GF30 Black
- Terminal Material: Brass Tin Plated
- Current Rating: 8A
- Voltage Rating: 250V DC
- Withstand Voltage: 1000V AC
- Contact Resistance: 10mΩ MAX
- Insulation Resistance: 100MΩ MIN
- Sealed Material: Silicone Rubber Salt
- Spray resistance: 48H
- Air Leakage: No Leakage At 49KPa Air Pressure Mated Condition
- Vibration Resistance: 20Gs, 50-300Hz, No Instant Fracture In 3 Directions
- Mounting Type: Rear Mounting
- Operating Temperature: -40° C-105° C

Unless Otherwise specified tolerance
 X. ±0.35 X.XX: ±0.20
 X.X: ±0.25 X.XXX: ±0.15

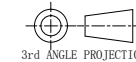
Antenk® ANTENK ELECTRONICS CO., LTD
[Http://www.antenk.com](http://www.antenk.com)
 E-mail: sales@antenk.com

SCALE: As Shown	UNIT: mm
DRAW Wu Feng Rong	DATE 21/03/2020
CHECK BobYang	DATE 21/03/2020

TITLE:
4.00MM ECU 8PIN Header Waterproof Connector

DRAWING NO: ECU-8PIN

PRODUCT NO: ECU-8PIN



REV	DESCRIPTION	DATE
1		
2		
3		
4		
5		