

HSF



SPECIFICATION

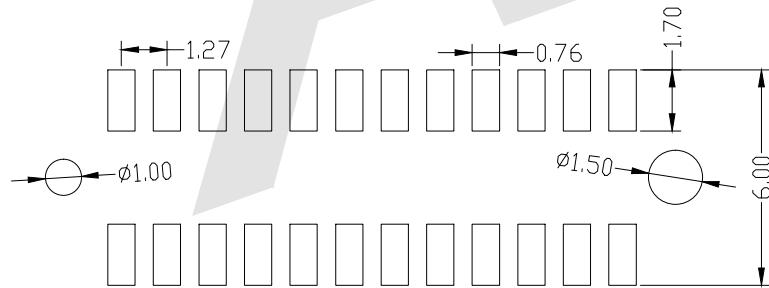
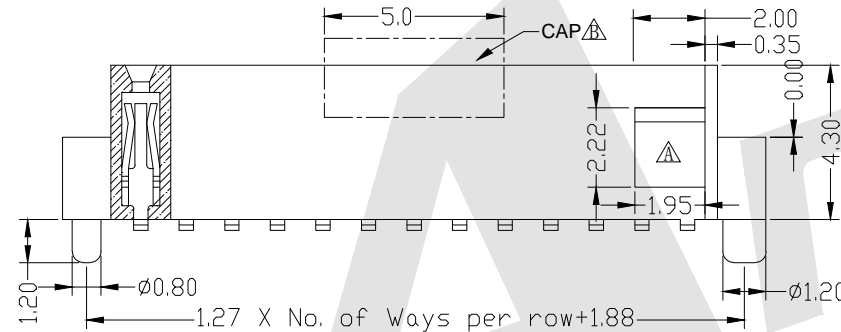
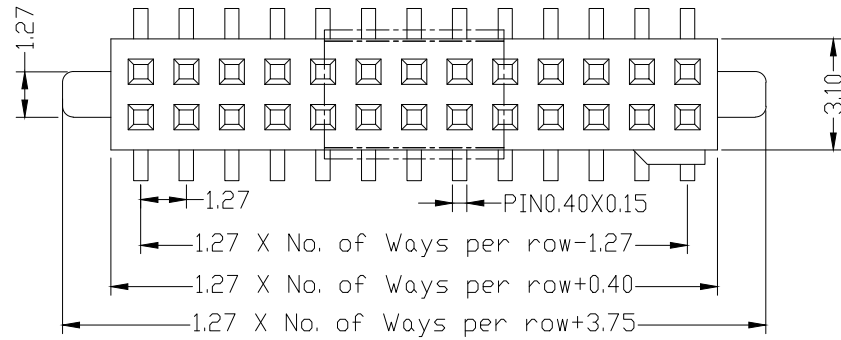
Current Rating: 1Amp
 Insulation Resistance: 1000M ohms min
 Contact Resistance: 20M ohms max
 Dielectric Withstanding: AC500V
 Operating Temperature: -65°C to +125°C
 Contact Material: Brass
 Insulator Material: PA6T UL 94V-0 Black

Ordering Code:

FHCM10 - X - X - D - X - X - X

① ② ③ ④ ⑤ ⑥ ⑦

- ① Series No:
- ② No. of Contacts
02 To 100
- ③ Contact Plating:
G0:Gold flash S0:Selective
G1:3U" Gold S1:Selective 3u"
G2:5u" Gold S2:Selective 5u"
G3:10u" Gold S3:Selective 10u"
G4:15u" Gold S4:Selective 15u"
G5:30u" Gold S5:Selective 30u"
SN:Tin
- ④ Connector Type
D: Dual
- ⑤ Plastic High:
H:4.3
Please mark the desired length in the H
- ⑥ Insulator Material
B:PA6T
C:LCP
E:PA9T
- ⑦ Packing
A:Tray
B:Bag
T:Tube
U:Tube+CAP
R:Tape&Reel
W:Tape&Reel+CAP

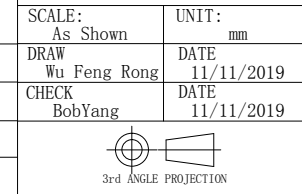


PCB LAYOUT

Unless Otherwise specified tolerance
 X. ±0.35 X.XX: ±0.20
 X.X: ±0.25 X.XXX: ±0.15

Antenk® ANTENK ELECTRONICS CO., LTD
 Http://www.antenk.com
 E-mail:sales@antenk.com

△	CHANGE To Half Bump	2019. 11. 11
△	CHANGE CAP	2018. 08. 07
REV	DESCRIPTION	DATE



TITLE:	1.27mm Female Header Dual Row SMT Type With Different Post And Half Bump
DRAWING NO:	FHCM10-XXDXXX
PRODUCT NO:	FHCM10-XXDXXX