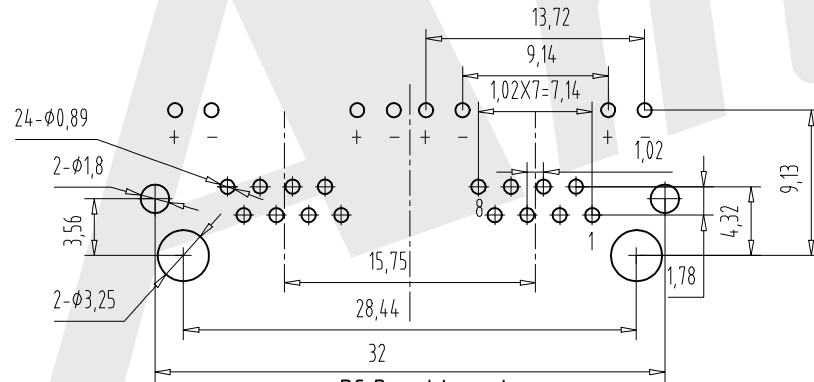
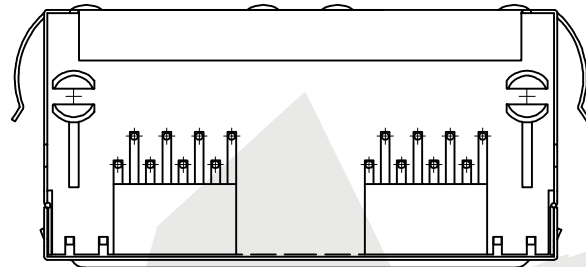
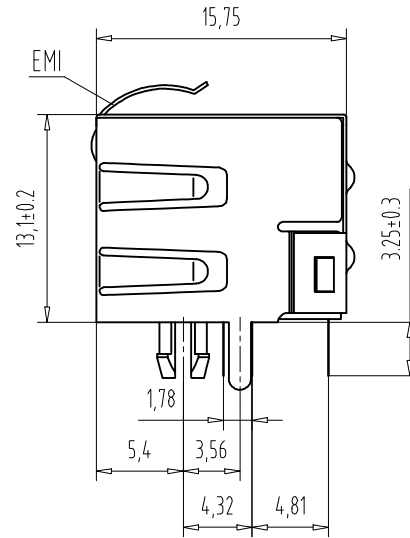
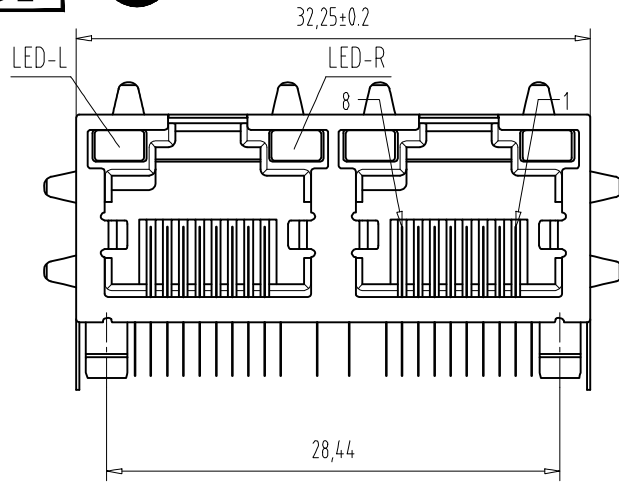


HSF



PC Board Layout  
Component Side Shown

NOTES:  
MATERIAL:  
1. HOUSING MATERIAL:GLASS FILLED POYESTER UL94V-0.  
2. CONTACT MATERIAL:PHOSPHOR BRONZE t=0.3mm  
3. PLATING:SELECTING GOLD PLATING 1 μ ~50 μ "OVER NICKEL IN CONTACT AREA.150 μ " TIN PLATIN.OVER NICKEL IN SOLDER AREA  
4. SHIELD:0.2mmTHICKNESS COPPER WITH NICKEL PLATEI ELECTRICAL  
1. VOLTAGE RATING:125VAC RMS  
2. CURRENT RATING:1.5AMP  
3. CONTACT RESISTANCE:30MILLIOHMS MAX  
4. INSULATION RESISTANCE 500MEGOHMS MIN @500V DC  
5. DIELECTRIC WITHSTANDING RESISTANCE :1000V AC RMS 50Hz. 1MIN

MECHANICAL  
1. DURRABILITY:750 CYCLES MIN  
2. PCB RETENTTON PRB-SOLDER:1 LB MIN REVRONMENTAL  
1. STORAGE:-40° C TO 85° C  
2. OPERATION:0° C TO 70° C

Order code:

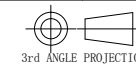
ATRJ5622 - 8P - 8C - X - C - B - B

① ② ③ ④ ⑤ ⑥ ⑦

- ① SERIES NO:
- ② NUMBER OF POSITIONS (10P, 8P, 6P, 4P)
- ③ NUMBER OF CONTACTS (10C, 8C, 6C, 4C)
- ④ Contact Plating
  - G0:Gold flash
  - G1: 3U" Gold
  - G2: 5U" Gold
  - G3:10U" Gold
  - G4:15U" Gold
  - G5:30U" Gold
  - SN:Tin
- ⑤ Shield
  - A:W/O Shield
  - B:Half Shield
  - C:Shield W/Eml
  - D:Shield W/O Eml
- ⑥ Ports
  - A:1X1P G:2X1P
  - B:1X2P H:2X2P
  - C:1X4P I:2X3P
  - D:1X5P J:2X4P
  - E:1X6P K:2X6P
  - F:1X8P L:2X8P
- ⑦ LED STYLE:
  - A:W/O LED
  - B:LEFT YELLOW/RIGHT GREEN
  - C:LEFT GREEN/RIGHT YELLOW
  - D:LEFT RED/RIGHT GREEN
  - E:LEFT GREEN/RIGHT RED
  - F:LEFT YELLOW/RIGHT YELLOW
  - G:LEFT GREEN/RIGHT GREEN

Unless Otherwise specified tolerance  
X. ±0.35 X.XX:±0.20  
X.X:±0.25 X.XXX:±0.15

SCALE: As Shown UNIT: mm  
DRAW Wu Feng Rong DATE 22/03/2018  
CHECK BobYang DATE 22/03/2018



**Antenk**® ANTENK ELECTRONICS CO.,LTD  
Http://www.antenk.com  
E-mail:sales@antenk.com

TITLE: RJ45 Jack side entry, Full shielded with LED,with EMI 1X2P

DRAWING NO: ATRJ5622-8P8C-X-C-B-B

PRODUCT NO: ATRJ5622-8P8C-X-C-B-B

REV	DESCRIPTION	DATE
1		
2		
3		
4		
5		