

NOTES:

MATERIAL:

CAGE:NICKEL SILVER, THICKNESS 0.25mm

CONNECTOR:

PLASTIC HOUSING:HIGH TEMPERATURE LCP, UL94V-0.

SPRING:STAINLESS STEEL, THICKNESS 0.20MM

PLATING:15u"MIN. GOLD ON MATING AREA,  
150u"MIN. MATE TIN ON SOLDER TAILS.

PACKAGING:TRAY PACKAGING.

OPERATING TEMPERATURE :-40°C TO +105°C

STORAGE TEMPERATURE:-55° C TO +105° C

ORDER CODE:

ATSFP - IN32002-06B

① ②

① SFP CAGE

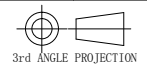
② Series number

Unless Otherwise specified tolerance	
X. ±0.35	X.XX: ±0.20
X.X: ±0.25	X.XXX: ±0.15

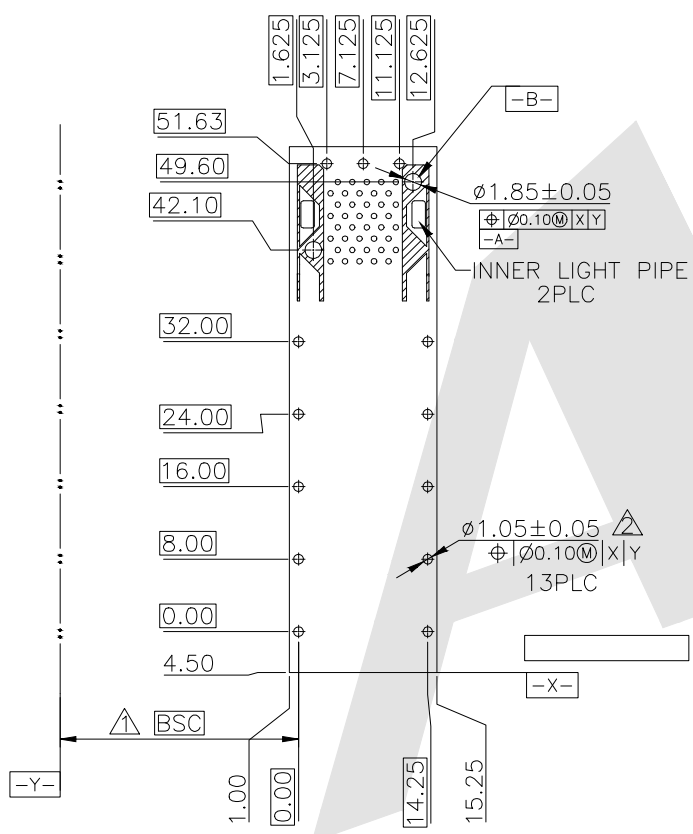
**Antenk**® ANTENK ELECTRONICS CO.,LTD  
[Http://www.antenk.com](http://www.antenk.com)  
 E-mail:sales@antenk.com

SCALE: As Shown	UNIT: mm
DRAW Wu Feng Rong	DATE 03/08/2019
CHECK BobYang	DATE 03/08/2019

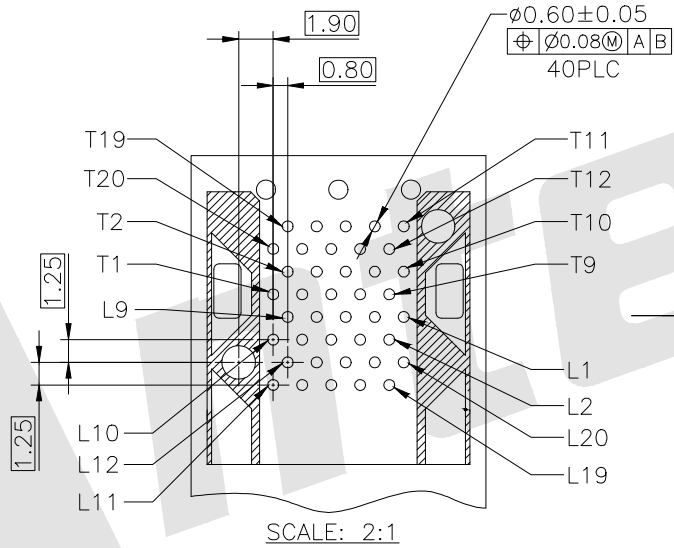
TITLE: SFP 2*1 CAGE+CONNECTOR WITH 2 LIGHT PIP
DRAWING NO: ATSFP - IN3A002-06B
PRODUCT NO: ATSFP - IN3A002-06B



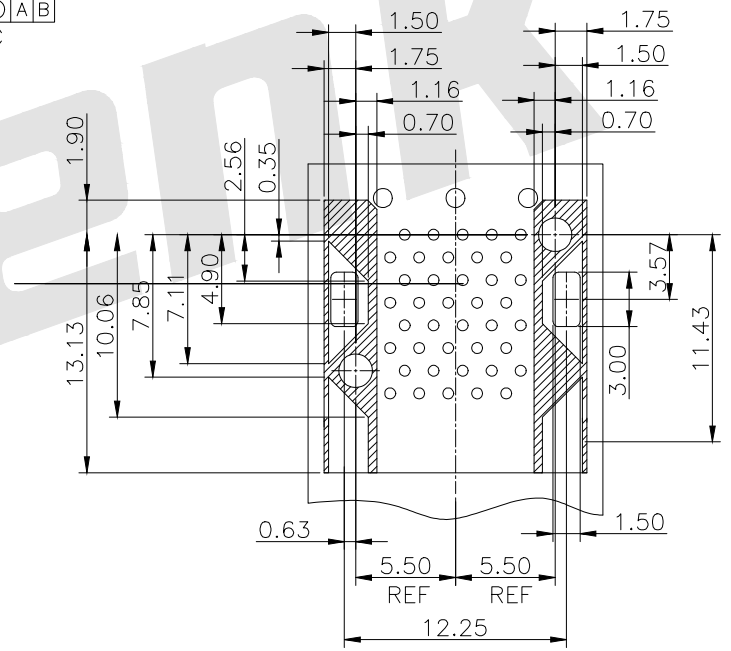
REV	DESCRIPTION	DATE
1		
2		
3		
4		
5		



RECOMMENDED PCB CONFIGURATION



SCALE: 2:1



SCALE: 2:1

NOTES:

1. DATUM AND BASIC DIMENSIONS ESTABLISHED BY CUSTOMER.
2. 1.05 mm DIAMETER HOLES ARE CHASSIS GROUND .

Unless Otherwise specified tolerance	
X. ±0.35	X.XX: ±0.20
X.X: ±0.25	X.XXX: ±0.15

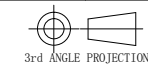
**Antenk**® ANTENK ELECTRONICS CO.,LTD  
[Http://www.antenk.com](http://www.antenk.com)  
 E-mail:sales@antenk.com

SCALE: As Shown	UNIT: mm
DRAW Wu Feng Rong	DATE 03/08/2019
CHECK BobYang	DATE 03/08/2019

TITLE:  
SFP 2\*1 CAGE+CONNECTOR WITH 2 LIGHT PIP

DRAWING NO: ATSF - 1N3A002-06B

PRODUCT NO: ATSF - 1N3A002-06B

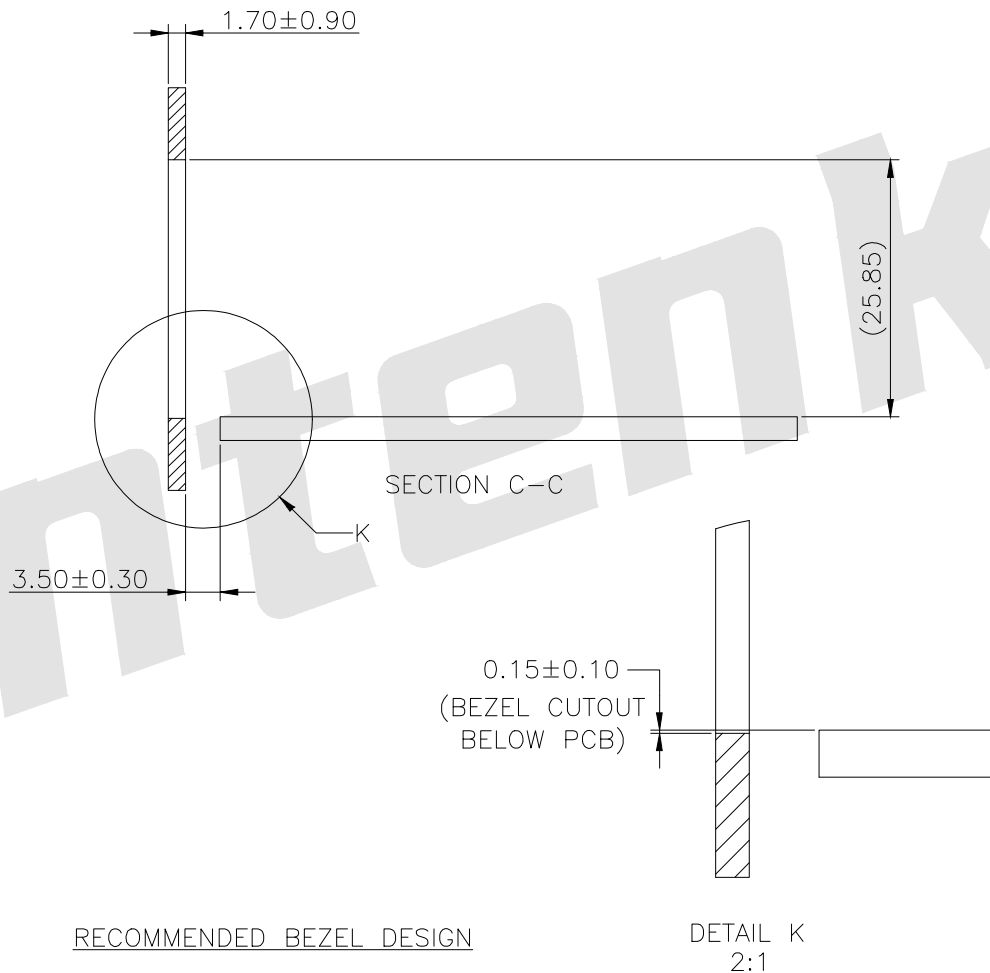
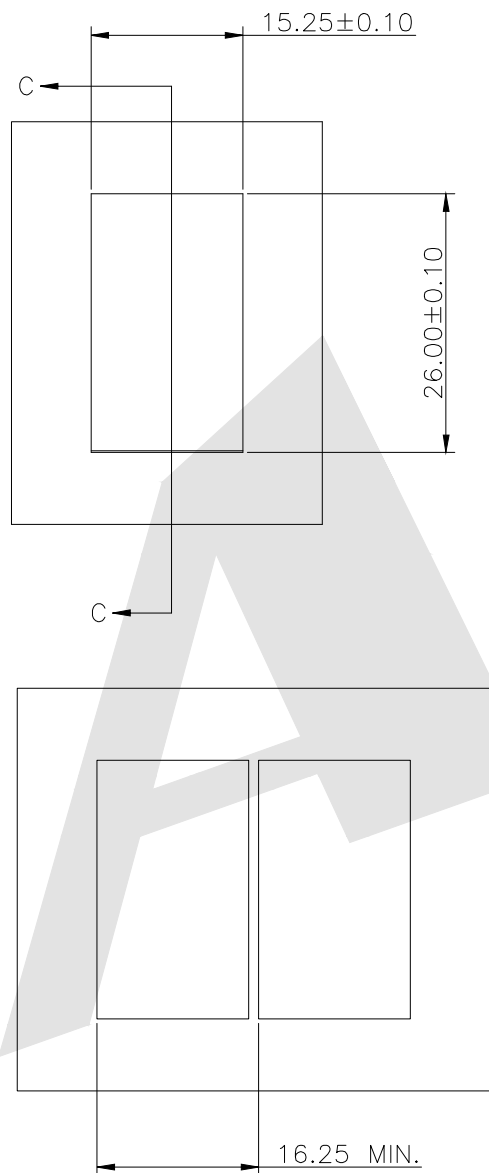


REV	DESCRIPTION	DATE
1		
2		
3		
4		
5		

HSF



ROHS

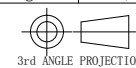


Unless Otherwise specified tolerance  
 X. ±0.35 X.XX: ±0.20  
 X.X: ±0.25 X.XXX: ±0.15

**Antenk**® ANTENK ELECTRONICS CO.,LTD  
[Http://www.antenk.com](http://www.antenk.com)  
 E-mail:sales@antenk.com

SCALE: As Shown	UNIT: mm
DRAW Wu Feng Rong	DATE 03/08/2019
CHECK BobYang	DATE 03/08/2019

TITLE:  
SFP 2\*1 CAGE+CONNECTOR WITH 2 LIGHT PIP



DRAWING NO: ATSP - 1N3A002-06B  
 PRODUCT NO: ATSP - 1N3A002-06B

REV	DESCRIPTION	DATE

