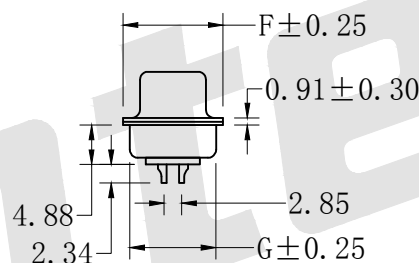
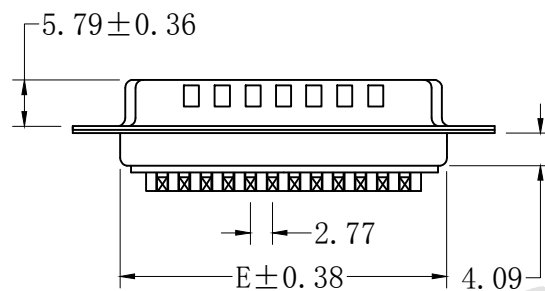
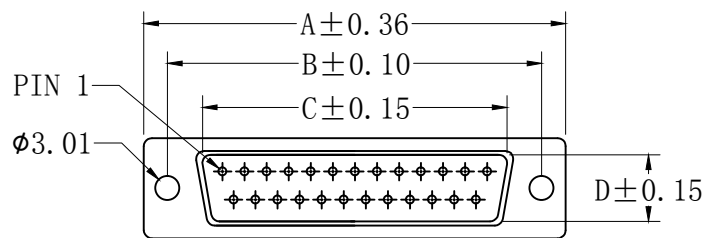
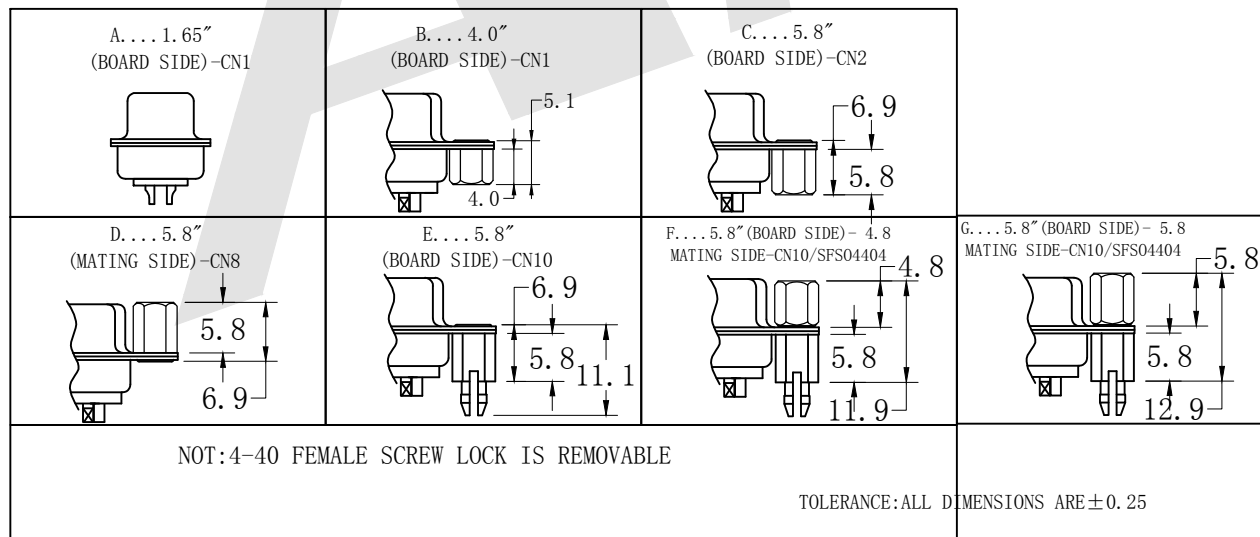


HSF



DIMENSIONS							
No. OF PINS	A	B	C	D	E	F	G
9	30.80	24.99	17.00	8.40	19.20	12.60	10.90
15	39.15	33.32	25.30	8.40	27.51	12.60	10.90
25	53.04	47.04	39.00	8.40	41.40	12.60	10.90
37	69.32	63.50	55.40	8.40	57.81	12.60	10.90
50	66.93	61.11	52.80	11.10	55.42	15.20	13.60

ALL CLINCH-NUTS ARE 4-40 INTERNAL THREADS



MATERIALS AND FINISH

SHELL: STEEL MATERIAL, FRONT SHELL NICKEL FINISHED  
 BACK SHELL NICKEL FINISHED  
 INSULATOR: PBT THERMOPLASTIC, 30% GLASS  
 FILLED, UL 94V-0 RATED, WHITE COLOR  
 CONTACT MATERIAL: BRASS  
 CONTACT FINISH: FULL 2u" GOLD  
 ELECTRICAL CHARACTERISTICS  
 CONTACT CURRENT RATING : 5.0 AMPS  
 CONTACT RESISTANCE : 30 MILLIOHMS MAX.  
 DIELECTRIC WITHSTANDING VOLTAGE : 1000 V AC MIN  
 INSULATION RESISTANCE : 5000 MEGAOHMS MIN  
 TEMPERATURE RATING :  $-55^{\circ}\text{C} \sim +105^{\circ}\text{C}$

Ordering Code:

MDB01 - M - X - X - X - X  
 ① ② ③ ④ ⑤ ⑥

- ① MDB Series
- ② Contact Type:  
M: male
- ③ Contact No. :  
09=09Pin 15=15Pin  
25=25Pin 37=37Pin  
50=50Pin
- ④ Mounting Option:  
A: NOHARDWARE  
B: 4.0" CLINCH NUT (BOARD SIDE)  
C: 5.8" CLINCH NUT (BOARD SIDE)  
D: 5.8" CLINCH NUT (MOUNTING SIDE)  
E: 5.8" 4-40 BOARD LOCK  
F: 5.8" BOARD LOCK, BOARD SIDE  
4.80" SCREW LOCK, MATING SIDE  
G: 5.8" BOARD LOCK, BOARD SIDE  
5.80" SCREW LOCK, MATING SIDE
- ⑤ Insulation Color Code:  
B: Black G: Grey  
W: White L: Blue
- ⑥ Contact Plating  
S: Selective Gold  
S1: Selective 3u" Gold  
S2: Selective 5u" Gold  
S3: Selective 10u" Gold  
S4: Selective 15u" Gold  
S5: Selective 30u" Gold  
G1: 3u" Gold over  
G2: 5u" Gold over  
G3: 10u" Gold over  
G4: 15u" Gold over  
G5: 30u" Gold over

Unless Otherwise specified tolerance  
 X.  $\pm 0.35$  X.XX:  $\pm 0.20$   
 X.X:  $\pm 0.25$  X.XXX:  $\pm 0.15$

SCALE: As Shown UNIT: mm  
 DRAW Lv Xun Hua DATE 05/03/2019  
 CHECK BobYang DATE 05/03/2019



**Antenk** ANTENK ELECTRONICS CO., LTD  
 Http://www.antenk.com  
 E-mail: sales@antenk.com

TITLE:  
 D-SUB MALE Solder type Machine Pin

DRAWING NO: MDB01-MXXXX

PRODUCT NO: MDB01-MXXXX

REV	DESCRIPTION	DATE
1		
2		
3		
4		
5		
6		
7		
8		