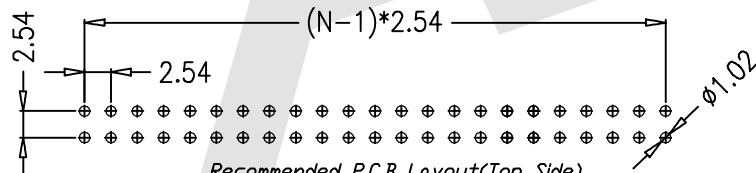
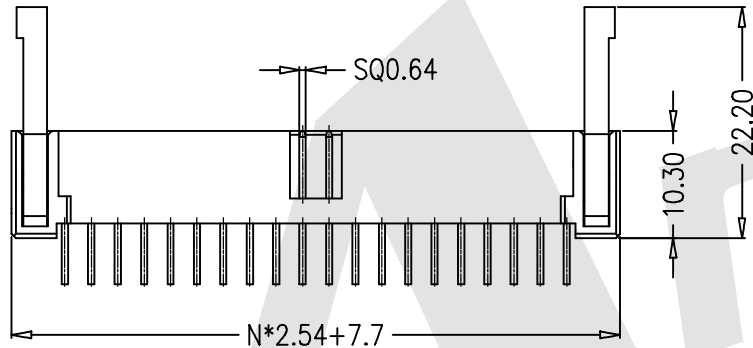
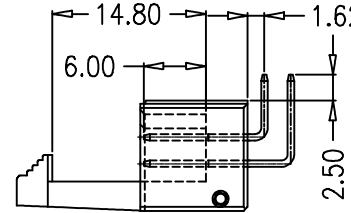
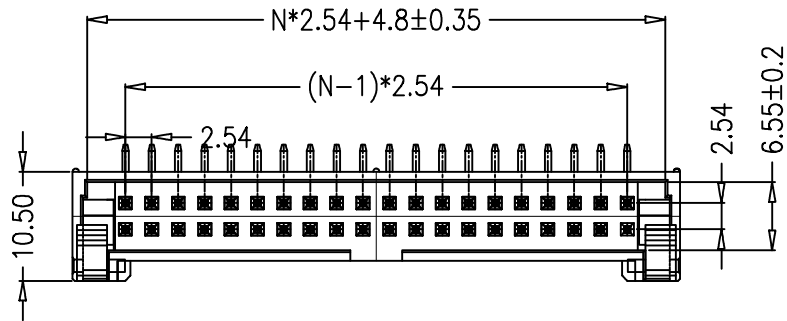


HSF



**SPECIFICATION**

Current Rating: 3.0Amp  
 Insulation Resistance: 1000MΩmin  
 Contact Resistance: 20MΩmax  
 Withstand Voltage: 1000V AC/DC  
 Contact Material: Brass  
 Contact Plating: Au or Sn Over Ni  
 Insulator Material: PBT or PA6T+30%GF UL94V-0  
 Operating Temperature: -40° C to +105° C



Recommended P.C.B Layout (Top Side)  
 (PCB BOARD TOLERANCE±0.05)

No. side slot "A" and "B" from 6 to 16 pin  
 No. side slot "A" from 18 to 58 pin

Ordering Code:  
 LHDR06 - X - X - X - X - X  
 ① ② ③ ④ ⑤ ⑥

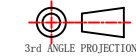
- ① Series No:  
06 08 10 12  
14 16 18 20  
24 26 30 34  
40 50 60 64
- ② No. of Contacts
- ③ Contact Plating:  
G0:Gold flash S0:Selective  
G1:3u" Gold S1:Selective 3u"  
G2:5u" Gold S2:Selective 5u"  
G3:10u" Gold S3:Selective 10u"  
G4:15u" Gold S4:Selective 15u"  
G5:30u" Gold S5:Selective 30u"  
SN:Tin
- ④ Color Insulator  
B:Black  
U:Blue  
G:Gray
- ⑤ Insulator Material  
A:PBT  
B:PA6T  
C:LCP  
D:PA46  
E:PA9T
- ⑥ Packing  
A:Tray  
B:Bag  
T:Tube  
U:Tube+CAP  
R:Tape&Reel  
W:Tape&Reel+CAP

Unless Otherwise specified tolerance  
 X. ±0.35 X.XX:±0.20  
 X.X:±0.25 X.XXX:±0.15

**Antenk**® ANTENK ELECTRONICS CO.,LTD  
 Http://www.antenk.com  
 E-mail:sales@antenk.com

SCALE: As Shown	UNIT: mm
DRAW YG ZHONG	DATE 01/05/2016
CHECK BobYang	DATE 01/05/2016

TITLE: 2.54mm Ejector Header 90°  
 With Plastic Latch



DRAWING NO: LHDR06-XXXXX  
 PRODUCT NO: LHDR06-XXXXX

REV	DESCRIPTION	DATE
1		