

HSF



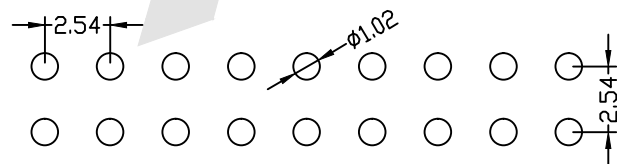
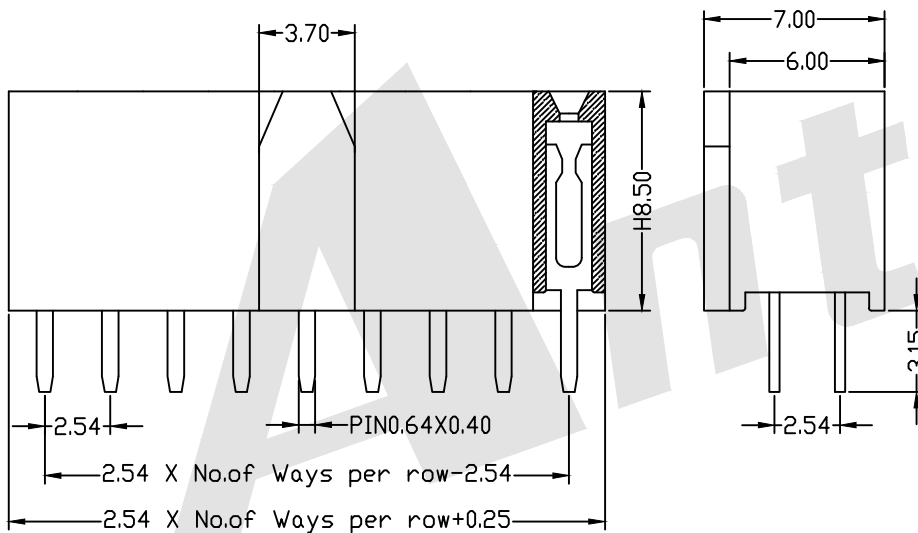
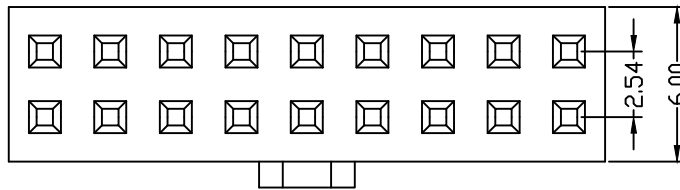
### SPECIFICATION

Current Rating: 3.0 Amp  
 Insulation Resistance: 1000M ohms min  
 Contact Resistance: 20M ohms max  
 Dielectric Withstanding: AC500V  
 Operating Temperature: -65°C to +125°C  
 Contact Material: Brass  
 Insulator Material: PBT,UL 94V-0 Black

Ordering Code:

FHES17 - X - X - D - X - X - X  
 ① ② ③ ④ ⑤ ⑥ ⑦

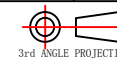
- ① Series No:
- ② No.of Contacts  
02 To 80
- ③ Contact Plating:  
G0:Gold flash S0:Selective  
G1:3U" Gold S1:Selective 3u"  
G2:5u" Gold S2:Selective 5u"  
G3:10u" Gold S3:Selective 10u"  
G4:15u" Gold S4:Selective 15u"  
G5:30u" Gold S5:Selective 30u"  
SN:Tin
- ④ Connector Type  
D: Dual
- ⑤ Plastic High:  
H:8.5  
Please mark the desired length in the H
- ⑥ Insulator Material  
A:PBT  
B:PA6T  
C:LCP  
D:PA46  
E:PA9T
- ⑦ Packing  
A:Tray  
B:Bag  
T:Tube  
U:Tube+CAP  
R:Tape&Reel  
W:Tape&Reel+CAP



PCB LAYOUT

Unless Otherwise specified tolerance  
 X. ±0.35 X.XX: ±0.20  
 X.X: ±0.25 X.XXX: ±0.15

SCALE: As Shown UNIT: mm  
 DRAW: YG ZHONG DATE: 01/05/2016  
 CHECK: BobYang DATE: 01/05/2016



**Antenk** ANTENK ELECTRONICS CO.,LTD  
 Http://www.antenk.com  
 E-mail:sales@antenk.com

TITLE:  
2.54mm Female Header Dual Row Straight Type With Bump

DRAWING NO: FHES17-XXDXXX

PRODUCT NO: FHES17-XXDXXX

REV	DESCRIPTION	DATE
1		
2		
3		
4		
5		