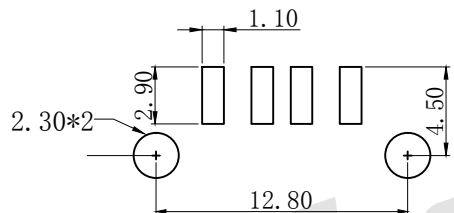
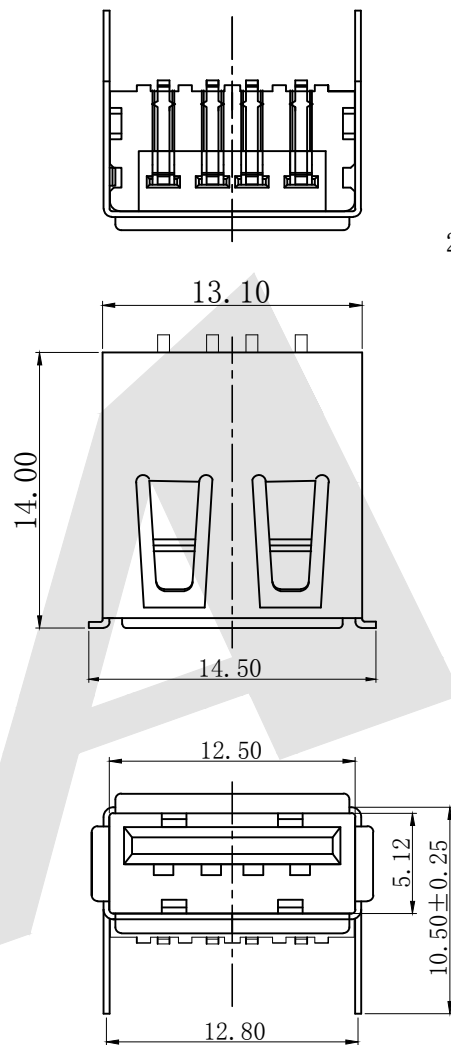
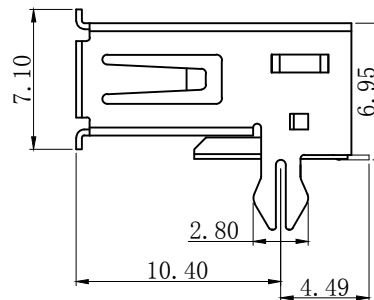


HSF



P.C.B LAYOUT
TOLERANCE: ±0.05



Specifications:
 Current Rating: 1.5A Max
 Contact Resistance: 30 milliohms MAX
 Dielectric Withstanding Voltage: 500V AC AT Sea Level
 Insulation Resistance: 1000 Megohms MIN
 Housing: Temperature Thermoplastics, PBT UL 94V-0
 Contact: Copper Alloy T=0.25mm Plated Gold in Mating Area; Tin On Solder Tails
 Shell: Iron T=0.30mm Nickel/Plating
 CONNECTOR withstand 10000 mating cycles.

Ordering Code:

UAFM06 - X - X - X - X - X - X
 ① ② ③ ④ ⑤ ⑥ ⑦

- ① Series No:
- ② Shell Material:
B:Brass I:Iron
S:stainless steel
- ③ Insulator Material:
P:PBT+30%GF
L:LCP
- ④ Contact Material:
B:Brass
P:phosphor copper
- ⑤ Contact Plating
G0: Gold flash
G1: 3u" Gold
G2: 5u" Gold
G3: 10u" Gold
G4: 15u" Gold
G5: 30u" Gold
- ⑥ Color Insulator
A:White B:Black
- ⑦ Packing
A:Tray B:Bag
C:Tube D:Tape & Reel

Unless Otherwise specified tolerance
 X. ±0.35 X.XX: ±0.20
 X.X: ±0.25 X.XXX: ±0.15

Antenk® ANTENK ELECTRONICS CO.,LTD
 Http://www.antenk.com
 E-mail:sales@antenk.com

SCALE: As Shown	UNIT: mm
DRAW Lv Xun Hua	DATE 17/06/2019
CHECK BobYang	DATE 17/06/2019

TITLE:
 USB A FEMALE SMT 4P WITH FORK TYPE



DRAWING NO: UAFM06-XXXXXX
 PRODUCT NO: UAFM06-XXXXXX

REV	DESCRIPTION	DATE